

Lined Brake Shoes Lined Brake Shoe Kits

New & Remanufactured

Catalog PB-8857WD



Strength • Power • Speed • Agility

INDEX

Page

NEW LINED BRAKE SHOES & BRAKE SHOE KITS

12-1/4" x 7-1/2" Meritor Q	11
12-1/4" x 7-1/2" Std. Forge	11
15" x 3-1/2" Meritor T Front	11
15" x 4" Eaton ES Front.....	12
15" x 4" Eaton Front.....	12
15" x 4" Meritor Q Front.....	13
15" x 4" Meritor Q Plus Front	13
15" x 4" Meritor Q Plus Front - for TrakLok applications	14
15" x 4" Meritor T Front.....	14
15" x 5" Meritor Lucas Hydraulic.....	14
15" x 5" Meritor Q Plus Front	15
15" x 6" Meritor Lucas Hydraulic.....	15
15" x 6" Meritor Q Plus Front	15
15" x 7" Meritor Lucas Hydraulic.....	16
15" x 7" Meritor Q Plus Front	16
15" x 7" Meritor Stopmaster Wedge	16
15" x 8-5/8" Meritor Q Plus Front.....	17
16-1/2" x 5" Eaton ES	17
16-1/2" x 5" Meritor Q	18
16-1/2" x 5" Meritor Q for 1.68" Offset Spider.....	18
16-1/2" x 5" Meritor Q Plus	19
16-1/2" x 5" Meritor Q with Relocated Return Spring Hole.....	19
16-1/2" x 6" Eaton ES	20
16-1/2" x 6" Meritor Q	20
16-1/2" x 6" Meritor Q Plus	21
16-1/2" x 6" Meritor Q with Relocated Return Spring Hole.....	21
16-1/2" x 7" Eaton	22
16-1/2" x 7" Eaton ES I	22
16-1/2" x 7" Eaton ES II	23
16-1/2" x 7" Eaton for Fruehauf	23
16-1/2" x 7" Eaton for Meritor	24
16-1/2" x 7" Fruehauf XEM3	24
16-1/2" x 7" Meritor P	25
16-1/2" x 7" Meritor P Cast	25
16-1/2" x 7" Meritor Q	26
16-1/2" x 7" Meritor Q Heavy Duty.....	27
16-1/2" x 7" Meritor Q Plus	28
16-1/2" x 7" Meritor Q Plus Heavy Duty.....	28
16-1/2" x 8" Meritor Q Plus	29
16-1/2" x 8-5/8" Eaton ES.....	29
16-1/2" x 8-5/8" Fruehauf XEM LH	29
16-1/2" x 8-5/8" Fruehauf XEM RH.....	30
16-1/2" x 8-5/8" Meritor Q	30
16-1/2" x 8-5/8" Meritor Q Plus	30

REMANUFACTURED BRAKE SHOES & BRAKE SHOE KITS

12-1/4" x 7-1/2" Dana Spicer Fast Change II	31
12-1/4" x 7-1/2" Dana Spicer U.....	31
12-1/4" x 7-1/2" Dexter PQ	31

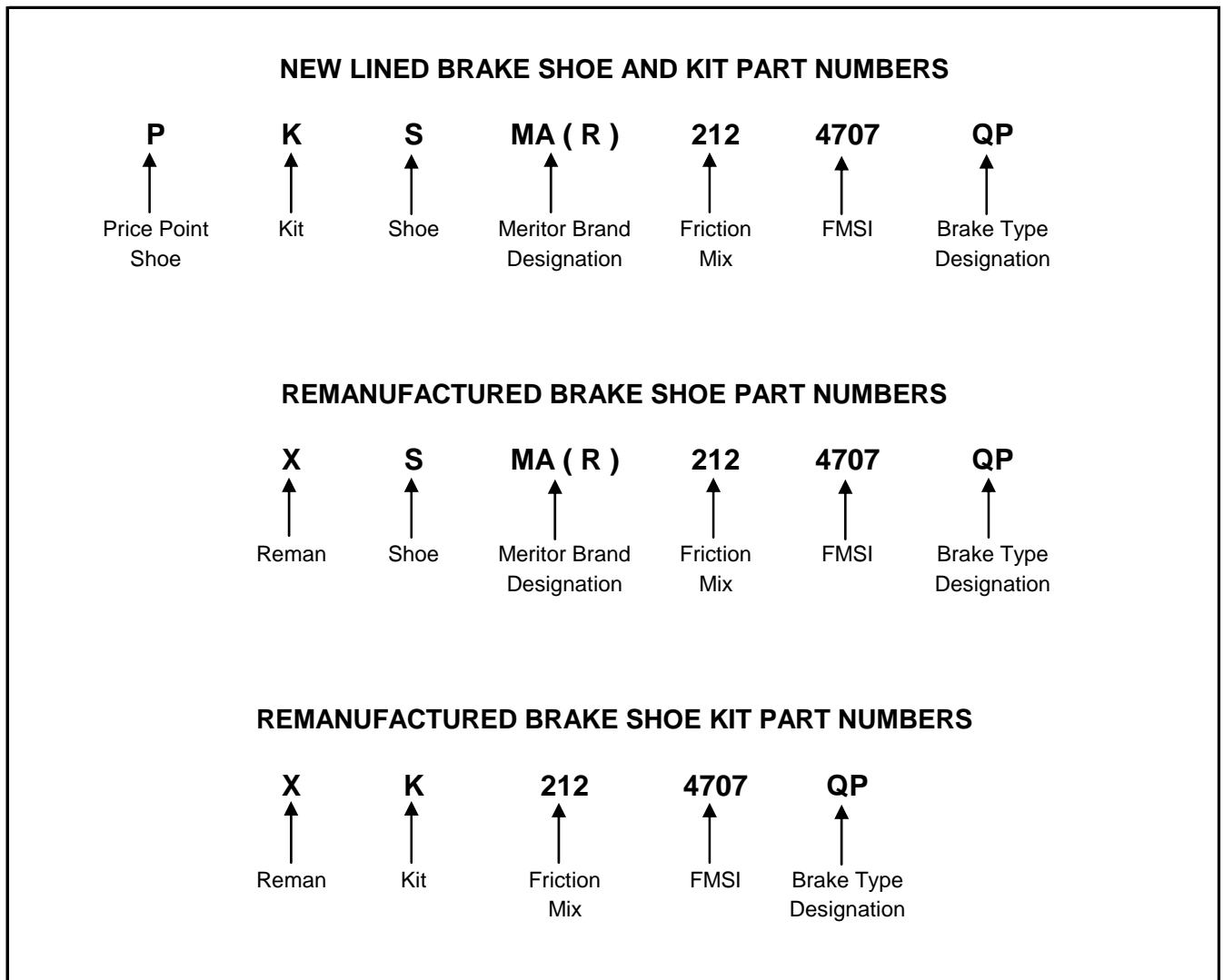
REMANUFACTURED BRAKE SHOES & BRAKE SHOE KITS Cont.

12-1/4" x 7-1/2" Eaton.....	32
12-1/4" x 7-1/2" Meritor Q.....	32
12-1/4" x 7-1/2" Standard Forge Closed Roller End.....	32
12-1/4" x 7-1/2" Standard Forge Open Roller End.....	33
15" x 3-1/2" Meritor Stopmaster Wedge.....	33
15" x 3-1/2" Meritor T Front.....	33
15" x 4" Bendix.....	34
15" x 4" Eaton ES Front - Block Lining.....	35
15" x 4" Eaton ES Front - Strip Lining.....	35
15" x 4" Eaton Front.....	34
15" x 4" Meritor Q Front.....	36
15" x 4" Meritor Q Plus Front.....	36
15" x 4" Meritor T Front.....	37
15" x 5" Meritor Lucas Hydraulic.....	37
15" x 5" Meritor Q Plus Front.....	37
15" x 6" Bendix Wedge.....	38
15" x 6" Meritor Lucas Hydraulic.....	38
15" x 6" Meritor Q Plus Front.....	39
15" x 6" Meritor Stopmaster Wedge.....	39
15" x 7" Meritor Lucas Hydraulic.....	39
15" x 7" Meritor Q Plus Front.....	40
15" x 7" Meritor Stopmaster Wedge.....	40
15" x 8-5/8" Eaton ES.....	40
15" x 8-5/8" Meritor Q Plus.....	41
16-1/4" x 3-1/2" Meritor T.....	31
16-1/2" x 4" Meritor Q.....	42
16-1/2" x 5" Eaton ES.....	42
16-1/2" x 5" Eaton High Mount.....	42
16-1/2" x 5" Eaton Low Mount.....	43
16-1/2" x 5" Meritor P.....	43
16-1/2" x 5" Meritor Q.....	44
16-1/2" x 5" Meritor Q for 1.68" Offset Spider.....	44
16-1/2" x 5" Meritor Q Plus.....	45
16-1/2" x 5" Meritor Q with Relocated Return Spring Hole.....	45
16-1/2" x 6" Eaton ES.....	46
16-1/2" x 6" Eaton High Mount.....	46
16-1/2" x 6" Eaton Low Mount.....	46
16-1/2" x 6" Meritor P.....	47
16-1/2" x 6" Meritor Q.....	47
16-1/2" x 6" Meritor Q Plus.....	48
16-1/2" x 6" Meritor Q with Relocated Return Spring Hole.....	48
16-1/2" x 7" Bendix.....	49
16-1/2" x 7" Eaton.....	49
16-1/2" x 7" Eaton ES I.....	50
16-1/2" x 7" Eaton ES II.....	50
16-1/2" x 7" Eaton High Mount.....	51
16-1/2" x 7" Fruehauf F5.....	51
16-1/2" x 7" Fruehauf P.....	51
16-1/2" x 7" Fruehauf XEM3.....	52
16-1/2" x 7" Meritor P.....	52
16-1/2" x 7" Meritor P Cast.....	53
16-1/2" x 7" Meritor Q.....	53
16-1/2" x 7" Meritor Q Heavy Duty.....	54
16-1/2" x 7" Meritor Q Plus.....	54
16-1/2" x 7" Meritor Q Plus Heavy Duty.....	55
16-1/2" x 7" Spicer XL.....	55
16-1/2" x 8" Meritor Q.....	55

REMANUFACTURED BRAKE SHOES & BRAKE SHOE KITS Cont.

16-1/2" x 8" Meritor Q Plus	56
16-1/2" x 8-5/8" Eaton	56
16-1/2" x 8-5/8" Eaton ES	56
16-1/2" x 8-5/8" Fruehauf XEM3 Offset	57
16-1/2" x 8-5/8" Meritor P.....	57
16-1/2" x 8-5/8" Meritor Q	57
16-1/2" x 8-5/8" Meritor Q Plus	58
16-1/2" x 10" Meritor Q	58
18" x 7" Eaton Cast.....	59
18" x 7" Meritor P Cast.....	59

MERITOR LINED BRAKE SHOE & KIT NUMBER SYSTEM



BRAKE TYPE DESIGNATION REFERENCE

Brake type designation letters appear at the end of new or reman shoe & kit part numbers to indicate the make and type of brake.

Brake Type Designation	Brake Manufacturer	Brake Type
B	Bendix	Bendix (core)
B	Bendix	Cam Brake (reman shoes)
BW	Bendix	Wedge Brake
D	Dexter	12-1/4" PQ Brake
D	Dana/Spicer	16-1/2" XL Brake
E	Eaton	Standard Eaton Brake / ES II Reman Kits (where there is no ES I)
E1	Eaton	ES Brake - 1st Version
E2	Eaton	ES Brake - 2nd Version
EC	Eaton	Cast Shoe (reman shoes)
EH	Eaton	High Mount Shoe
ES	Eaton	ES II (where there is no ES I) (reman shoes)
F2	Fruehauf	XEM - 2nd Version
F3	Fruehauf	XEM - 3rd Version
F3L	Fruehauf	8-5/8" LH Offset XEM3 Shoe
F3R	Fruehauf	8-5/8" RH Offset XEM3 Shoe
F5	Fruehauf	XEM Retrofit (core)
FC2	Dana/Spicer	Fast Change II Brake
G2	Eaton	ES II (core)
H	Eaton	High Mount (core)
H	Meritor	Q Brake with HeavyDuty Webs (core)
L	Meritor	Lucas Hydraulic (reman shoes)
M	Meritor	Q Brake with Heavy Duty Webs (Mack) (reman kits)
MF	Meritor	Fruehauf XEM Retrofit
P	Meritor	P Brake
PC	Meritor	Cast P Brake
Q	Meritor	Q Brake
QA	Meritor	Q Brake for 1.68" Offset Spider with Relocated Retainer Spring Hole
QM	Meritor	Q Brake with Heavy Duty Webs (Mack)
QP	Meritor	Q Plus Brake
QPM	Meritor	Q Plus Brake with Heavy Duty Webs (Mack)
QR	Meritor	Q Brake with Relocated Return Spring Hole (Mack)
R	Meritor	Stopmaster Wedge Brake (core)
RC	Meritor	18" Cast Shoe (reman shoes)
RD	Meritor	Stopmaster Wedge Brake (new shoes)
S	Standard Forge	Standard Forge Brake
SM	Meritor	Stopmaster Wedge Brake (reman shoes)
T	Meritor	T Brake
U	Dana/Spicer	U Brake
W	Wagner	Wagner Air or Hydraulic Brake Shoe
W5, W6, W8	Wagner	Wagner 1308 Air Brake Front Shoes

MERITOR FRICTION MATERIALS

MA212 Standard Truck/Tractor/Trailer FF 20,000 lb. GAWR / 165 AL

MA212 is the standard Meritor 20,000 lb. gross axle weight rated (GAWR) brake lining for OEM production trailer axle brakes. This proven material yields exceptional brake power and friction stability without sacrificing lining or drum wear. MA212 is the standard friction on Meritor trailer axles and is the lining of choice of many OEM vehicle manufacturers.

MA212 is recommended for truck, tractor, trailer and school bus applications. It performs well in hauling general cargo, grain and liquids in a variety of applications, including low boys and dump trucks – over general terrain. It can be used for over-the-highway applications or in stop-and-go urban driving.

MA212 is rated for 20,000 lb. GAWR at 165 AL (T30 chamber x 5.5" slack adjuster).

MA210 Premium Long-Life Truck/Tractor/Trailer FF 20,000 lb. GAWR / 165 AL

MA210 is designed for, and used extensively in, the Meritor MX500 Long-Life Package and other brake applications. It provides superior wear and stopping capability in all linehaul applications. MA210 is a premium, long-life material that utilizes transfer layer technology to offer excellent performance and drum compatibility for life-cycle maintenance cost reduction.

MA210 is ideally suited to truck, tractor, trailer and school bus applications. It performs well in hauling general cargo, grain and liquids in a variety of applications – over general terrain. MA210 is strongly recommended for heavy over-the-highway use.

MA210 is rated for 20,000 lb. GAWR at 165 AL (T30 chamber x 5.5" slack adjuster).

R301 Standard Truck/Tractor/Trailer FF 23,000 lb. GAWR / 180 AL

R301 is the standard Meritor 23,000 lb. GAWR brake lining for OEM production tractor rear axle brakes. This time-proven high-performance Meritor material is engineered for demanding applications where excellent wear characteristics are needed.

R301 is recommended for truck, tractor, trailer, school bus and heavy hauling applications such as refuse and construction. It can be used on- or off-highway in various terrain conditions.

R301 is rated for 23,000 lb. GAWR at 180 AL (T30 chamber x 6.0" slack adjuster).

MERITOR FRICTION MATERIALS (continued)

MA312 Standard Truck/Tractor/Trailer FF 23,000 lb. GAWR / 180 AL

MA312 provides superior stopping power needed in demanding heavy duty linehaul and vocational vehicle operations. MA312 friction material not only meets, but surpasses, FMVSS 121 requirements in combination with either full-cast or lightweight Meritor SteelLite X30™ brake drums.

MA312 is a premium, long-life material delivering exceptional performance in applications up to 23,000 GAWR. It offers service-life improvements of up to 20 percent over comparable products, reducing costs of maintenance, downtime and materials.

MA312 is ideally suited to truck, tractor, trailer and school bus applications. It is recommended for construction, refuse and other heavy hauling applications where sure stopping power is called for. It is designed to perform equally well in both on- and off-highway applications.

MA312 is rated for 23,000 lb. GAWR at 180 AL (T30 chamber x 6" slack adjuster).

MA310 Premium Truck/Tractor/Trailer FF 23,000 lb. GAWR / 165 AL

MA310 has been developed as the standard Meritor 23,000 lb. GAWR brake lining for vocational vehicle applications. This material provides remarkable wear and exceptional stopping ability for the vocational needs of a fleet. MA310 was designed for demanding applications that require consistent fade resistance and solid recovery performance.

MA310 is recommended for construction, refuse and other heavy hauling applications. It can be used on- or off-highway in various terrain conditions.

MA310 is rated for 23,000 lb. GAWR at 165 AL (T30 chamber x 5.5" slack adjuster).

R403 Severe-Duty Truck/Tractor/Trailer GG 26,000 lb. GAWR / 180 AL

R403 is the Meritor 26,000 lb. GAWR brake lining for severe-duty applications. It has superior performance and fade resistance and dependable stopping capability in heavy-haul applications.

R403 is recommended for construction, refuse and other severe service applications, on- or off-highway, under various terrain conditions. It has a proven track record of recognized durability.

R403 is rated for 26,000 lb. GAWR at 180 AL (T30 chamber x 6.0" slack adjuster).

MERITOR PRODUCTION FRICTION MATERIAL

APPLICATION AND PRODUCT COMPARISON GUIDE

Axle Rating (Lbs.)	Brake Block						Lining
	17,000-20,000	20,000	20,000	23,000	23,000	26,000	12,000 Steer Axle
Meritor Genuine OE Mix		MA212 - Standard	MA210	R301 - Standard MA312 - Option (6" Slack) MA310 - Premium (5.5" Slack)		R403 - Severe Service	MA212 - Front Axle
Coefficient of Friction		FF	FF	FF	FF/FF	GG	FF
Brake Type		CAM	CAM	CAM	CAM/WEDGE	CAM	CAM
Friction Notes	Economy Grade		Long-Life		Comb./Semi Met.		
Vehicle Type	Truck, Tractor and Trailer						Truck & Tractor

AFTERMARKET FRICTION MATERIALS

This chart does not imply that the competitive material shown is equivalent to Meritor Genuine.

ABEX (FEDERAL MOGUL)	XL 6014 XC 6085		EN 6008 EL 6011 AN 6166	Premier (Ferodo)	EX 685	EM 6069/ EX 685	ED 6028	EN 6008
BENDIX	BXV		BXS		BXP	BXCM	BXHD	
BRAKE PRO/ CANADIAN METALLIC	CM14 CM15	CM16	CM18 CM20		CM22A	CMB42	CM25 CM29	CML48
CARLISLE	NA100	MB19	HD2A MB21	CF2000	MB23	MBC62 E44	MB60	MB21 HD2L
EATON / SPICER		ES310 ES410 ES420	ES440 ES450		ES600 ES670 ES680	ES1100/600	ES1100	
EUCLID	E55	E77	E78		E88	E98		E78
FRAS-LE	AF540	AF550	AF555		AF557	AF560/AF555	AF587 AF560	AF555 AF557
HALDEX	GN/2017	GD/2016	GS/2015 GF/3008	GR/3010	GG/2020 GG/3020 GH/3023	GC Combination	GP/2030 GM/2040	TT TS
MARATHON	MH	UB	FL DL		HS HST	MBC	TS MBS	FL/DL HS
SPICER All American/Quality Assured	Green White	Silver	Blue		Red Yellow	Orange	Bronze	

COMPARISON CHART

FRAS-LE FRICTION MATERIALS

AF520 Value Grade Tractor/Trailer

GF 20,000 lb. GAWR / 165 AL

AF520 is a value grade 20,000 lb. rated aftermarket friction material for the price-sensitive market. AF520 performs on on-highway, general freight applications over moderate terrain.

AF540-1 Economy Grade Truck/Tractor/Trailer

FF 20,000 lb. GAWR / 180 AL

AF540-1 is an economy grade 20,000 lb. rated aftermarket friction material. AF540-1 is recommended for truck, tractor and trailers carrying medium weight freight on-highway, long haul, over average terrain.

AF550-1 Standard Grade Truck/Tractor/Trailer

FF 21,000 lb. GAWR / 165 AL

AF550-1 is a standard grade 21,000 lb. rated aftermarket friction material. AF550-1 is recommended for cam and wedge brakes on truck, tractor and trailers carrying medium weight freight on-highway, long haul, over average terrain.

AF555-1 Standard Grade Truck/Tractor/Trailer

FF 23,000 lb. GAWR / 165 AL

AF555-1 is a mid-premium grade 23,000 lb. rated aftermarket friction material. AF555-1 is recommended for truck, tractor and trailers carrying heavy weight freight on-highway, long haul, over average-to-rough terrain, where applications are subjected to higher temperatures.

AF557 Premium Grade Truck/Tractor/Trailer

FF 23,000 lb. GAWR / 180 AL

AF557 is a premium grade 23,000 lb. rated aftermarket friction material. AF557 is recommended for cam and wedge brakes on truck, tractor and trailers, carrying heavy weight freight on-highway, long haul, over average-to-rough terrain. AF557 is also suited to city stop-and-go applications, as well as for liquid and grain hauling.

AF560 / AF555-1 Combination (COM)

FF / FF 25,000 lb. GAWR / 165 AL

AF560/AF555-1 Combo is a metallic / organic combination, 25,000 lb. rated, aftermarket friction material. AF560/AF555-1 Combo is recommended for cam and wedge brakes on truck, tractor and trailers, refuse hauling, off-highway, logging and other heavy weight vehicles over average-to-mountainous terrain.

FRAS-LE WD FRICTION PRODUCTS

This chart does not imply that the competitive material shown is equivalent to Meritor Genuine. Aftermarket materials may differ slightly or AL factor from the Meritor OE mixes or other mixes shown, but are in the most similar category for comparison purposes only.

Category	Good	Better	Best
Description	Price Point	Economy	OEM Standard
GAWR Rating	20k	20k	21k
AL Factor	180 AL	180 AL	180 AL

Good	Better
Standard	Premium
23k	23k
165 AL	180 AL

Special App.
Combination
23 - 26k
165 AL

FRAS-LE WD FRICTION	AF520	AF540-1	AF550-1
---------------------	-------	---------	---------

AF555-1	AF557
---------	-------

AF560 / AF555-1

Compeitors

Abex	6085/6085-1	6011 6166	6008-1 6014
BrakePro	CM14		CM15 CM16
Carlisle	NA100 EC20	MB19 MB20	MB21 / HD2A
Cobreq	NABK 090	NSBK 102	
Haldex/Midland		GF3008	GD2016 GR3010
Marathon	MH	UB	DB

6149	685 6098
CM18 CM20	CM22A-1
MB44	MB23
NABK 110	
GH3023	GC3020
FL / DL	HS / HST

685/6069
CMB42
MBC62
NABK 171
GC Combo
MBC

COMPARISON CHART



Don't forget about using *XpresswayPlus.com* for:

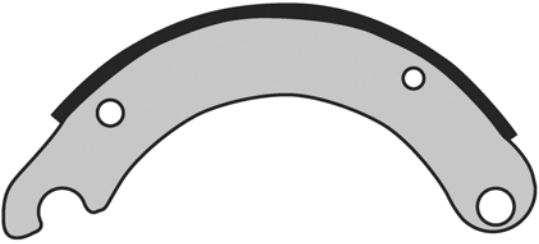
- Ordering parts online
- Order status
- Price and availability
- Visual search for new users
- Online e-mail or phone numbers for Customer Service, Information Services, Marketing, Catalog, and eSupport
- Reference Library
- The Company Store
- Easy to use navigating instructions
- Dealer/Distributor locator

XpresswayPlus is easy to use, can reduce phone calls, and save you valuable time.

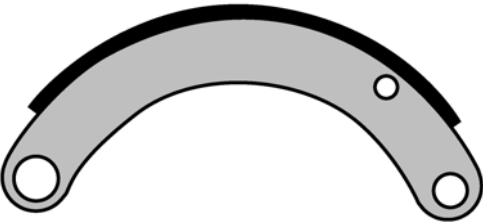
WHAT YOU NEED:	WHERE TO LOOK:
ACCOUNT CHANGE	CUSTOMER SERVICE
AFTERMARKET & PRODUCTION ASSEMBLIES	CATALOG
APPLICATION INFORMATION	CATALOG
BILL-OF-LADING NUMBER	ORDER STATUS
BILL-OF-MATERIAL	CATALOG
BULLETINS	REFERENCE LIBRARY
CONTACT NAMES & NUMBERS	CUSTOMER SERVICE
FIELD SUPPORT REPRESENTATIVES	CUSTOMER SERVICE
INVOICE (VIEW & PRINT)	ORDER STATUS
NEWSLETTER	REFERENCE LIBRARY
ORDER DETAILS	ORDER STATUS
ORDER HISTORY FILE	ORDER STATUS
ORDER MERCHANDISE	COMPANY STORE
ORDER SUBMIT	CREATE NEW ORDER
ORDER SUBMIT - STOCK UPLOAD (MULTIPLE LINES)	CREATE NEW ORDER
PART DETAILS	CATALOG
PART IMAGES	CATALOG
PART NUMBER COMPARISON	CATALOG
PARTS BOOKS	REFERENCE LIBRARY
PASSWORD CHANGE	CUSTOMER SERVICE
PRICE (LIST)	CATALOG
PRICE (NET) & AVAILABILITY	PRICE & AVAILABILITY
PRODUCT BROCHURES	REFERENCE LIBRARY
PRODUCT UPDATES	REFERENCE LIBRARY
PROOF-OF-DELIVERY	ORDER STATUS
REQUEST-FOR-QUOTATION (FOR MERITOR BRAND)	PRICE REQUEST
SALES LITERATURE	REFERENCE LIBRARY
SEND QUESTIONS, COMMENTS, ISSUES	CONTACT US
SHIPPER NUMBER	ORDER STATUS
TECH TIPS	REFERENCE LIBRARY
TRACKING NUMBER	ORDER STATUS
WARRANTY INFORMATION	REFERENCE LIBRARY
WHERE-USED INFORMATION	CATALOG

NEW LINED BRAKE SHOES & BRAKE SHOE KITS


12-1/4" x 7-1/2" Meritor Q

							
LINING TYPE	FMSI NO.	MERITOR FRICTION MIX	NEW LINED BRAKE SHOE NUMBER	NEW LINED BRAKE SHOE KIT NUMBER	MINOR HARDWARE KIT NUMBER	NEW SHOE NUMBER	
						MERITOR PRODUCTION	MERITOR AFTER-MARKET
Fras-Le Aftermarket	4670	AF555-1	SF555 4670Q	KSF555 4670Q	KIT 8004	A3222-V-2466	
Meritor Production	4670	MA312	SMA312 4670Q	KSMA312 4670Q	KIT 8004	A3222-V-2466	
	4670	R301	SR301 4670Q	KSR301 4670Q	KIT 8004	A3222-V-2466	

12-1/4" x 7-1/2" Std. Forge

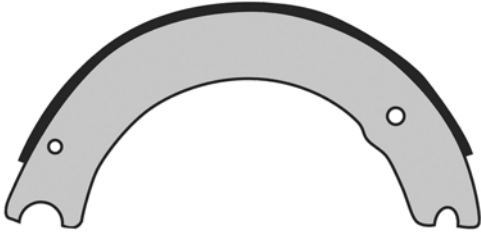
							
LINING TYPE	FMSI NO.	MERITOR FRICTION MIX	NEW LINED BRAKE SHOE NUMBER	NEW LINED BRAKE SHOE KIT NUMBER	MINOR HARDWARE KIT NUMBER	NEW SHOE NUMBER	
						MERITOR PRODUCTION	MERITOR AFTER-MARKET
Fras-Le Aftermarket	4591	AF550-1	SF550 4591S	KSF550 4591S	R507015		R704591
	4591	AF555-1	SF555 4591S	KSF555 4591S	R507015		R704591
	4591	AF557	SF557 4591S	KSF557 4591S	R507015		R704591

15" x 3-1/2" Meritor T Front

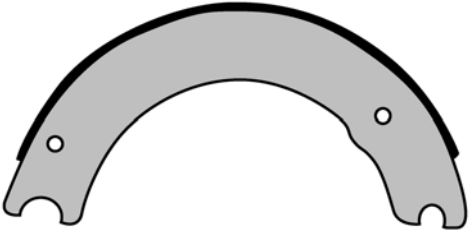
							
LINING TYPE	FMSI NO.	MERITOR FRICTION MIX	NEW LINED BRAKE SHOE NUMBER	NEW LINED BRAKE SHOE KIT NUMBER	MINOR HARDWARE KIT NUMBER	NEW SHOE NUMBER	
						MERITOR PRODUCTION	MERITOR AFTER-MARKET
Meritor Production	1307	MA212	SMA212 1307T	KSMA212 1307T	KIT 9305	A3222-K-1103	
	1307	R301	SR301 1307T	KSR301 1307T	KIT 9305	A3222-K-1103	

NEW LINED BRAKE SHOES & BRAKE SHOE KITS

15" x 4" Eaton Front

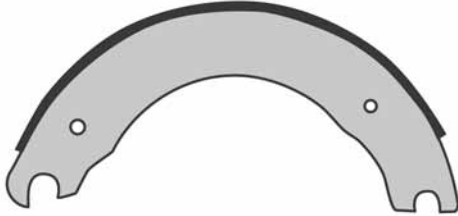
							
LINING TYPE	FMSI NO.	MERITOR FRICTION MIX	NEW LINED BRAKE SHOE NUMBER	NEW LINED BRAKE SHOE KIT NUMBER	MINOR HARDWARE KIT NUMBER	NEW SHOE NUMBER	
						MERITOR PRODUCTION	MERITOR AFTER-MARKET
Fras-Le Aftermarket	1308TT	AF550-1	SF550 1308E	KSF550 1308E	MKT 1308E		R1308E
	1308TT	AF555-1	SF555 1308E	KSF555 1308E	MKT 1308E		R1308E
	1308TT	AF557	SF557 1308E	KSF557 1308E	MKT 1308E		R1308E
Meritor Production	1308TT	MA210	SMA210 1308E	KSMA210 1308E	MKT 1308E		R1308E
	1308TT	MA212	SMA212 1308E	KSMA212 1308E	MKT 1308E		R1308E
	1308TT	MA310	SMA310 1308E	KSMA310 1308E	MKT 1308E		R1308E
	1308TT	MA312	SMA312 1308E	KSMA312 1308E	MKT 1308E		R1308E
	1308TT	R301	SR301 1308E	KSR301 1308E	MKT 1308E		R1308E

15" x 4" Eaton ES Front

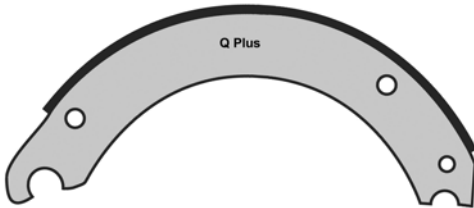
							
LINING TYPE	FMSI NO.	MERITOR FRICTION MIX	NEW LINED BRAKE SHOE NUMBER	NEW LINED BRAKE SHOE KIT NUMBER	MINOR HARDWARE KIT NUMBER	NEW SHOE NUMBER	
						MERITOR PRODUCTION	MERITOR AFTER-MARKET
Meritor Production	1443TT	MA212	SMA212 1443E	KSMA212 1443E	MKT 1308E		R700017
	1443TT	MA312	SMA312 1443E	KSMA312 1443E	MKT 1308E		R700017

NEW LINED BRAKE SHOES & BRAKE SHOE KITS

15" x 4" Meritor Q Front

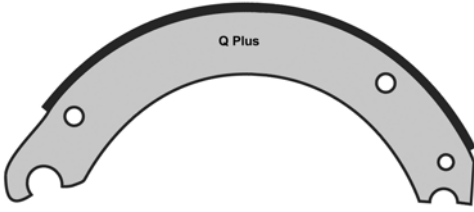
							
LINING TYPE	FMSI NO.	MERITOR FRICTION MIX	NEW LINED BRAKE SHOE NUMBER	NEW LINED BRAKE SHOE KIT NUMBER	MINOR HARDWARE KIT NUMBER	NEW SHOE NUMBER	
						MERITOR PRODUCTION	MERITOR AFTER-MARKET
Fras-Le Aftermarket	1308TT	AF550-1	SF550 1308Q	KSF550 1308Q	KIT 8029	A3222-F-1982	
	1308TT	AF555-1	SF555 1308Q	KSF555 1308Q	KIT 8029	A3222-F-1982	
	1308TT	AF557	SF557 1308Q	KSF557 1308Q	KIT 8029	A3222-F-1982	
Meritor Production	1308TT	MA210	SMA210 1308Q	KSMA210 1308Q	KIT 8021	A3222-F-1982	
	1308TT	MA212	SMA212 1308Q	KSMA212 1308Q	KIT 8021	A3222-F-1982	
	1308TT	MA310	SMA310 1308Q	KSMA310 1308Q	KIT 8021	A3222-F-1982	
	1308TT	MA312	SMA312 1308Q	KSMA312 1308Q	KIT 8021	A3222-F-1982	
	1308TT	R301	SR301 1308Q	KSR301 1308Q	KIT 8021	A3222-F-1982	

15" x 4" Meritor Q Plus Front

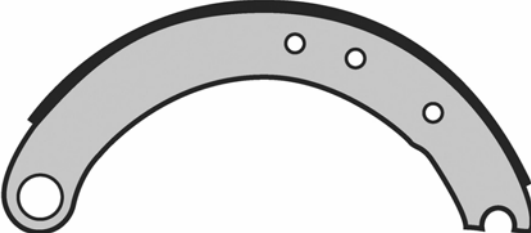
							
LINING TYPE	FMSI NO.	MERITOR FRICTION MIX	NEW LINED BRAKE SHOE NUMBER	NEW LINED BRAKE SHOE KIT NUMBER	MINOR HARDWARE KIT NUMBER	NEW SHOE NUMBER	
						MERITOR PRODUCTION	MERITOR AFTER-MARKET
Fras-Le Aftermarket	4702	AF550-1	SF550 4702QP	KSF550 4702QP	MKT 4702KT	A3222-M-2223	
	4702	AF555-1	SF555 4702QP	KSF555 4702QP	MKT 4702KT	A3222-M-2223	
	4702	AF557	SF557 4702QP	KSF557 4702QP	MKT 4702KT	A3222-M-2223	
Meritor Production	4702	MA210	SMA210 4702QP	KSMA210 4702QP	KIT 8824HD	A3222-M-2223	
	4702	MA212	SMA212 4702QP	KSMA212 4702QP	KIT 8824HD	A3222-M-2223	
	4702	MA310	SMA310 4702QP	KSMA310 4702QP	KIT 8824HD	A3222-M-2223	
	4702	MA312	SMA312 4702QP	KSMA312 4702QP	KIT 8824HD	A3222-M-2223	
	4702	R301	SR301 4702QP	KSR301 4702QP	KIT 8824HD	A3222-M-2223	

NEW LINED BRAKE SHOES & BRAKE SHOE KITS

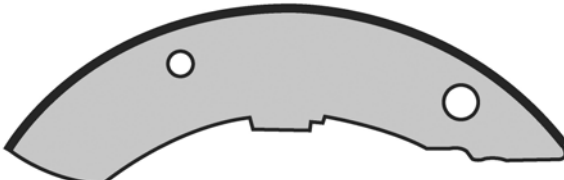
15" x 4" Meritor Q Plus Front - for TrakLok applications

							
LINING TYPE	FMSI NO.	MERITOR FRICTION MIX	NEW LINED BRAKE SHOE NUMBER	NEW LINED BRAKE SHOE KIT NUMBER	MINOR HARDWARE KIT NUMBER	NEW SHOE NUMBER	
						MERITOR PRODUCTION	MERITOR AFTER-MARKET
Meritor Production	4702	MA212	SMA212 4702QPT	KSMA212 4702QPT	KIT 8824HDA	A3222-M-2223	

15" x 4" Meritor T Front

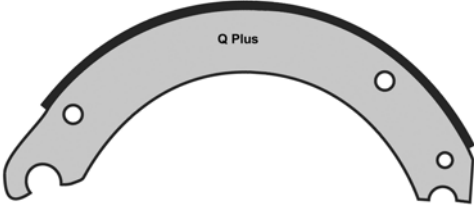
							
LINING TYPE	FMSI NO.	MERITOR FRICTION MIX	NEW LINED BRAKE SHOE NUMBER	NEW LINED BRAKE SHOE KIT NUMBER	MINOR HARDWARE KIT NUMBER	NEW SHOE NUMBER	
						MERITOR PRODUCTION	MERITOR AFTER-MARKET
Fras-Le Aftermarket	1308TT	AF557	SF557 1308T	KSF557 1308T	KIT 1125	A3222-F-1072	
Meritor Production	1308TT	MA210	SMA210 1308T	KSMA210 1308T	KIT 9094	A3222-F-1072	
	1308TT	MA212	SMA212 1308T	KSMA212 1308T	KIT 9094	A3222-F-1072	
	1308TT	MA310	SMA310 1308T	KSMA310 1308T	KIT 9094	A3222-F-1072	
	1308TT	R301	SR301 1308T	KSR301 1308T	KIT 9094	A3222-F-1072	

15" x 5" Meritor Lucas Hydraulic

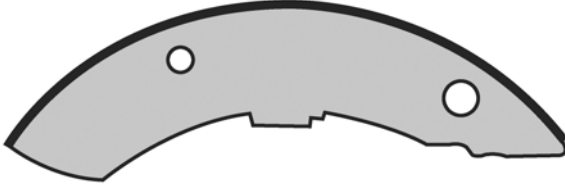
							
LINING TYPE	FMSI NO.	MERITOR FRICTION MIX	NEW LINED BRAKE SHOE NUMBER	NEW LINED BRAKE SHOE KIT NUMBER	MINOR HARDWARE KIT NUMBER	NEW SHOE NUMBER	
						MERITOR PRODUCTION	MERITOR AFTER-MARKET
Meritor Production	4528A	MA212	SMA212 4528		SP7896S , SP7897S	45 1003	

NEW LINED BRAKE SHOES & BRAKE SHOE KITS

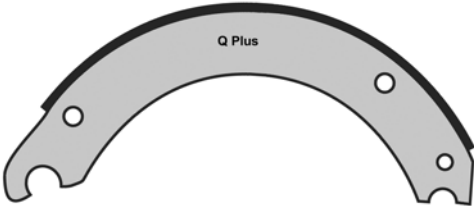
15" x 5" Meritor Q Plus Front

							
LINING TYPE	FMSI NO.	MERITOR FRICTION MIX	NEW LINED BRAKE SHOE NUMBER	NEW LINED BRAKE SHOE KIT NUMBER	MINOR HARDWARE KIT NUMBER	NEW SHOE NUMBER	
						MERITOR PRODUCTION	MERITOR AFTER-MARKET
Fras-Le Aftermarket	4703	AF557	SF557 4703QP	KSF557 4703QP	MKT 4702KT	A3222-D-2110	
Meritor Production	4703	MA212	SMA212 4703QP	KSMA212 4703QP	KIT 8824HD	A3222-D-2110	
	4703	MA312	SMA312 4703QP	KSMA312 4703QP	KIT 8824HD	A3222-D-2110	
	4703	R301	SR301 4703QP	KSR301 4703QP	KIT 8824HD	A3222-D-2110	
	4703	R403	SR403 4703QP	KSR403 4703QP	KIT 8824HD	A3222-D-2110	

15" x 6" Meritor Lucas Hydraulic

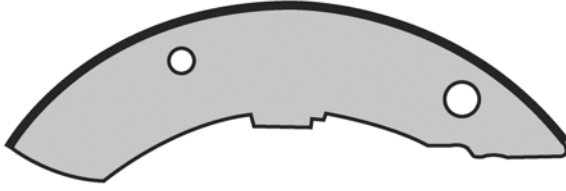
							
LINING TYPE	FMSI NO.	MERITOR FRICTION MIX	NEW LINED BRAKE SHOE NUMBER	NEW LINED BRAKE SHOE KIT NUMBER	MINOR HARDWARE KIT NUMBER	NEW SHOE NUMBER	
						MERITOR PRODUCTION	MERITOR AFTER-MARKET
Meritor Production	4504A	MA212	SMA212 4504		SP7896S , SP7897S	45 1004	

15" x 6" Meritor Q Plus Front

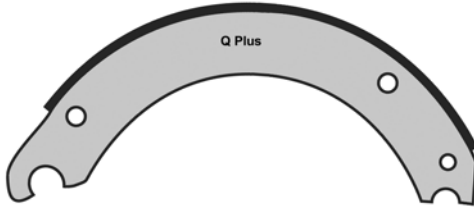
							
LINING TYPE	FMSI NO.	MERITOR FRICTION MIX	NEW LINED BRAKE SHOE NUMBER	NEW LINED BRAKE SHOE KIT NUMBER	MINOR HARDWARE KIT NUMBER	NEW SHOE NUMBER	
						MERITOR PRODUCTION	MERITOR AFTER-MARKET
Meritor Production	4704	MA212	SMA212 4704QP	KSMA212 4704QP	KIT 8824HD	A3222-E-2111	
	4704	R301	SR301 4704QP	KSR301 4704QP	KIT 8824HD	A3222-E-2111	

NEW LINED BRAKE SHOES & BRAKE SHOE KITS

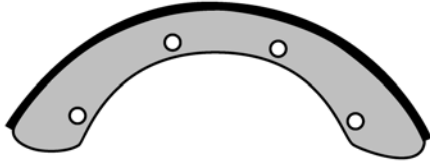
15" x 7" Meritor Lucas Hydraulic

							
LINING TYPE	FMSI NO.	MERITOR FRICTION MIX	NEW LINED BRAKE SHOE NUMBER	NEW LINED BRAKE SHOE KIT NUMBER	MINOR HARDWARE KIT NUMBER	NEW SHOE NUMBER	
						MERITOR PRODUCTION	MERITOR AFTER-MARKET
Meritor Production	4505A	MA212	SMA212 4505		SP7896S , SP7897S	45 1005	

15" x 7" Meritor Q Plus Front

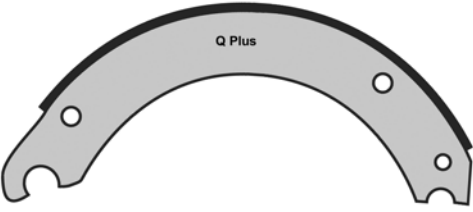
							
LINING TYPE	FMSI NO.	MERITOR FRICTION MIX	NEW LINED BRAKE SHOE NUMBER	NEW LINED BRAKE SHOE KIT NUMBER	MINOR HARDWARE KIT NUMBER	NEW SHOE NUMBER	
						MERITOR PRODUCTION	MERITOR AFTER-MARKET
Meritor Production	4705	MA212	SMA212 4705QP	KSMA212 4705QP	KIT 8824HD	A3222-F-2112	
	4705	R301	SR301 4705QP	KSR301 4705QP	KIT 8824HD	A3222-F-2112	

15" x 7" Meritor Stopmaster Wedge

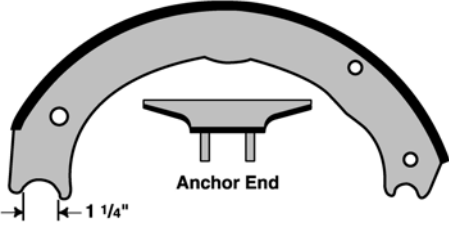
							
LINING TYPE	FMSI NO.	MERITOR FRICTION MIX	NEW LINED BRAKE SHOE NUMBER	NEW LINED BRAKE SHOE KIT NUMBER	MINOR HARDWARE KIT NUMBER	NEW SHOE NUMBER	
						MERITOR PRODUCTION	MERITOR AFTER-MARKET
Meritor Production	4602	R403	SR403 4602RD	KSR403 4602RD	KIT 1162	A3222-S-2021	

NEW LINED BRAKE SHOES & BRAKE SHOE KITS

15" x 8-5/8" Meritor Q Plus Front

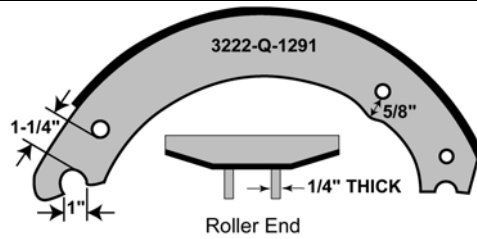
							
LINING TYPE	FMSI NO.	MERITOR FRICTION MIX	NEW LINED BRAKE SHOE NUMBER	NEW LINED BRAKE SHOE KIT NUMBER	MINOR HARDWARE KIT NUMBER	NEW SHOE NUMBER	
						MERITOR PRODUCTION	MERITOR AFTER-MARKET
Meritor Production	4710	MA212	SMA212 4710QP	KSMA212 4710QP	KIT 8824HD	A3222-A-2159	
	4710	MA312	SMA312 4710QP	KSMA312 4710QP	KIT 8824HD	A3222-A-2159	
	4710	R301	SR301 4710QP	KSR301 4710QP	KIT 8824HD	A3222-A-2159	

16-1/2" x 5" Eaton ES

							
LINING TYPE	FMSI NO.	MERITOR FRICTION MIX	NEW LINED BRAKE SHOE NUMBER	NEW LINED BRAKE SHOE KIT NUMBER	MINOR HARDWARE KIT NUMBER	NEW SHOE NUMBER	
						MERITOR PRODUCTION	MERITOR AFTER-MARKET
Meritor Production	4719	MA212	SMA212 4719E	KSMA212 4719E	R507094		R700024
	4719	MA312	SMA312 4719ES	KSMA312 4719E	R507094		R700024

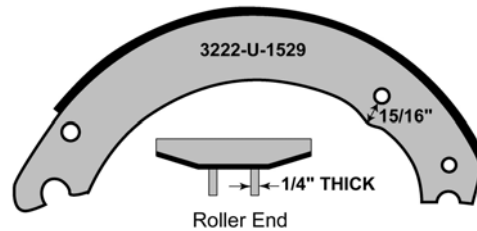
NEW LINED BRAKE SHOES & BRAKE SHOE KITS

16-1/2" x 5" Meritor Q



LINING TYPE	FMSI NO.	MERITOR FRICTION MIX	NEW LINED BRAKE SHOE NUMBER	NEW LINED BRAKE SHOE KIT NUMBER	MINOR HARDWARE KIT NUMBER	NEW SHOE NUMBER	
						MERITOR PRODUCTION	MERITOR AFTER-MARKET
Fras-Le Aftermarket	4524B	AF550-1	SF550 4524Q	KSF550 4524Q	MKT 4515Q	A3222-E-1383	
	4524B	AF555-1	SF555 4524Q	KSF555 4524Q	MKT 4515Q	A3222-E-1383	
	4524B	AF557	SF557 4524Q	KSF557 4524Q	MKT 4515Q	A3222-E-1383	
	4524B	AF560/555-1	SFCOM 4524Q	KSF560 4524Q	MKT 4515Q	A3222-E-1383	
Meritor Production	4524B	MA210	SMA210 4524Q	KSMA210 4524Q	KIT 8000	A3222-E-1383	
	4524B	MA212	SMA212 4524Q	KSMA212 4524Q	KIT 8000	A3222-E-1383	
	4524B	MA310	SMA310 4524Q	KSMA310 4524Q	KIT 8000	A3222-E-1383	
	4524B	MA312	SMA312 4524Q	KSMA312 4524Q	KIT 8000	A3222-E-1383	
	4524B	R301	SR301 4524Q	KSR301 4524Q	KIT 8000	A3222-E-1383	
	4524B	R403	SR403 4524Q	KSR403 4524Q	KIT 8000	A3222-E-1383	

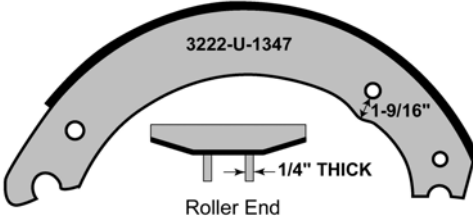
16-1/2" x 5" Meritor Q for 1.68" Offset Spider



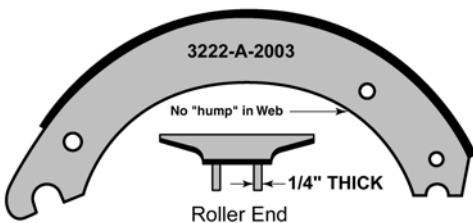
LINING TYPE	FMSI NO.	MERITOR FRICTION MIX	NEW LINED BRAKE SHOE NUMBER	NEW LINED BRAKE SHOE KIT NUMBER	MINOR HARDWARE KIT NUMBER	NEW SHOE NUMBER	
						MERITOR PRODUCTION	MERITOR AFTER-MARKET
Meritor Production	4524B	R301	SR301 4524QA	KSR301 4524QA	KIT 8028A	A3222-G-1541	

NEW LINED BRAKE SHOES & BRAKE SHOE KITS

16-1/2" x 5" Meritor Q with Relocated Return Spring Hole

							
LINING TYPE	FMSI NO.	MERITOR FRICTION MIX	NEW LINED BRAKE SHOE NUMBER	NEW LINED BRAKE SHOE KIT NUMBER	MINOR HARDWARE KIT NUMBER	NEW SHOE NUMBER	
						MERITOR PRODUCTION	MERITOR AFTER-MARKET
Fras-Le Aftermarket	4524B	AF550-1	SF550 4524QR	KSF550 4524QR	R508053	A3222-J-1440	
	4524B	AF555-1	SF555 4524QR	KSF555 4524QR	R508053	A3222-J-1440	
	4524B	AF557	SF557 4524QR	KSF557 4524QR	R508053	A3222-J-1440	
Meritor Production	4524B	MA210	SMA210 4524QR	KSMA210 4524QR	KIT 8081	A3222-J-1440	
	4524B	MA212	SMA212 4524QR	KSMA212 4524QR	KIT 8081	A3222-J-1440	
	4524B	MA310	SMA310 4524QR	KSMA310 4524QR	KIT 8081	A3222-J-1440	
	4524B	MA312	SMA312 4524QR	KSMA312 4524QR	KIT 8081	A3222-J-1440	
	4524B	R301	SR301 4524QR	KSR301 4524QR	KIT 8081	A3222-J-1440	
	4524B	R403	SR403 4524QR	KSR403 4524QR	KIT 8081	A3222-J-1440	

16-1/2" x 5" Meritor Q Plus

							
LINING TYPE	FMSI NO.	MERITOR FRICTION MIX	NEW LINED BRAKE SHOE NUMBER	NEW LINED BRAKE SHOE KIT NUMBER	MINOR HARDWARE KIT NUMBER	NEW SHOE NUMBER	
						MERITOR PRODUCTION	MERITOR AFTER-MARKET
Meritor Production	4720	MA210	SMA210 4720QP	KSMA210 4720QP	KIT 8081	A3222-Z-2288	
	4720	MA212	SMA212 4720QP	KSMA212 4720QP	KIT 8081	A3222-Z-2288	
	4720	MA310	SMA310 4720QP	KSMA310 4720QP	KIT 8081	A3222-Z-2288	
	4720	MA312	SMA312 4720QP	KSMA312 4720QP	KIT 8081	A3222-Z-2288	
	4720	R301	SR301 4720QP	KSR301 4720QP	KIT 8081	A3222-Z-2288	
	4720	R403	SR403 4720QP	KSR403 4720QP	KIT 8081	A3222-Z-2288	

NEW LINED BRAKE SHOES & BRAKE SHOE KITS

16-1/2" x 6" Eaton ES

LINING TYPE	FMSI NO.	MERITOR FRICTION MIX	NEW LINED BRAKE SHOE NUMBER	NEW LINED BRAKE SHOE KIT NUMBER	MINOR HARDWARE KIT NUMBER	NEW SHOE NUMBER	
						MERITOR PRODUCTION	MERITOR AFTER-MARKET
Meritor Production	4725	MA212	SMA212 4725E	KSMA212 4725E	R507094		R700025
	4725	MA312	SMA312 4725ES	KSMA312 4725E	R507094		R700025

16-1/2" x 6" Meritor Q

LINING TYPE	FMSI NO.	MERITOR FRICTION MIX	NEW LINED BRAKE SHOE NUMBER	NEW LINED BRAKE SHOE KIT NUMBER	MINOR HARDWARE KIT NUMBER	NEW SHOE NUMBER	
						MERITOR PRODUCTION	MERITOR AFTER-MARKET
Fras-Le Aftermarket	4514G	AF555-1	SF555 4514Q	KSF555 4514Q	MKT 4515Q	A3222-C-1381	
	4514G	AF557	SF557 4514Q	KSF557 4514Q	MKT 4515Q	A3222-C-1381	
	4514G	AF560/555-1	SFCOM 4514Q	KSFCOM 4514Q	MKT 4515Q	A3222-C-1381	
Meritor Production	4514G	MA212	SMA212 4514Q	KSMA212 4514Q	KIT 8000	A3222-C-1381	
	4514G	MA310	SMA310 4514Q	KSMA310 4514Q	KIT 8000	A3222-C-1381	
	4514G	MA312	SMA312 4514Q	KSMA312 4514Q	KIT 8000	A3222-C-1381	
	4514G	R301	SR301 4514Q	KSR301 4514Q	KIT 8000	A3222-C-1381	
	4514G	R403	SR403 4514Q	KSR403 4514Q	KIT 8000	A3222-C-1381	

NEW LINED BRAKE SHOES & BRAKE SHOE KITS

16-1/2" x 6" Meritor Q with Relocated Return Spring Hole

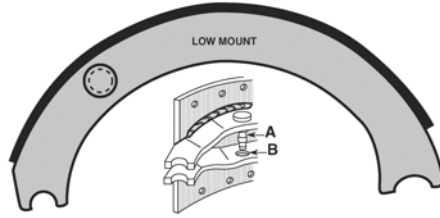
LINING TYPE	FMSI NO.	MERITOR FRICTION MIX	NEW LINED BRAKE SHOE NUMBER	NEW LINED BRAKE SHOE KIT NUMBER	MINOR HARDWARE KIT NUMBER	NEW SHOE NUMBER	
						MERITOR PRODUCTION	MERITOR AFTER-MARKET
Fras-Le Aftermarket	4514G	AF555-1	SF555 4514QM	KSF555 4514QM	R508053	A3222-V-1348	
	4514G	AF557	SF557 4514QM	KSF557 4514QM	R508053	A3222-V-1348	
Meritor Production	4514G	MA212	SMA212 4514QR	KSMA212 4514QR	KIT 8080	A3222-V-1348	
	4514G	MA310	SMA310 4514QR	KSMA310 4514QR	KIT 8080	A3222-V-1348	
	4514G	MA312	SMA312 4514QR	KSMA312 4514QR	KIT 8080	A3222-V-1348	
	4514G	R301	SR301 4514QR	KSR301 4514QR	KIT 8080	A3222-V-1348	
	4514G	R403	SR403 4514QR	KSR403 4514QR	KIT 8080	A3222-V-1348	

16-1/2" x 6" Meritor Q Plus

LINING TYPE	FMSI NO.	MERITOR FRICTION MIX	NEW LINED BRAKE SHOE NUMBER	NEW LINED BRAKE SHOE KIT NUMBER	MINOR HARDWARE KIT NUMBER	NEW SHOE NUMBER	
						MERITOR PRODUCTION	MERITOR AFTER-MARKET
Fras-Le Aftermarket	4715	AF557	SF557 4715QP	KSF557 4715QP	R508053	A3222-P-2200	
Meritor Production	4715	MA210	SMA210 4715QP	KSMA210 4715QP	KIT 8081	A3222-P-2200	
	4715	MA212	SMA212 4715QP	KSMA212 4715QP	KIT 8081	A3222-P-2200	
	4715	MA310	SMA310 4715QP	KSMA310 4715QP	KIT 8081	A3222-P-2200	
	4715	MA312	SMA312 4715QP	KSMA312 4715QP	KIT 8081	A3222-P-2200	
	4715	R301	SR301 4715QP	KSR301 4715QP	KIT 8081	A3222-P-2200	
	4715	R403	SR403 4715QP	KSR403 4715QP	KIT 8081	A3222-P-2200	

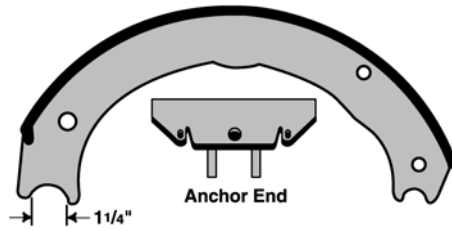
NEW LINED BRAKE SHOES & BRAKE SHOE KITS

16-1/2" x 7" Eaton



LINING TYPE	FMSI NO.	MERITOR FRICTION MIX	NEW LINED BRAKE SHOE NUMBER	NEW LINED BRAKE SHOE KIT NUMBER	MINOR HARDWARE KIT NUMBER	NEW SHOE NUMBER	
						MERITOR PRODUCTION	MERITOR AFTER-MARKET
Fras-Le Aftermarket	4311J	AF520	SF520 4311E	KSF520 4311E	MKT 4311EHD		R4311
	4311J	AF540-1	SF540 4311E	KSF540 4311E	MKT 4311EHD		R4311
	4311J	AF550-1	SF550 4311E	KSF550 4311E	MKT 4311EHD		R4311
	4311J	AF555-1	SF555 4311E	KSF555 4311E	MKT 4311EHD		R4311
	4311J	AF557	SF557 4311E	KSF557 4311E	MKT 4311EHD		R4311
Meritor Production	4311J	MA210	SMA210 4311E	KSMA210 4311E	MKT 4311EHD		R4311
	4311J	MA212	SMA212 4311E	KSMA212 4311E	MKT 4311EHD		R4311
	4311J	MA212	SMA212 4311EBL ¹	KSMA212 4311EBL	MKT 4311EHD		R4311
	4311J	MA310	SMA310 4311E	KSMA310 4311E	MKT 4311EHD		R4311
	4311J	MA312	SMA312 4311E	KSMA312 4311E	MKT 4311EHD		R4311
	4311J	R301	SR301 4311E	KSR301 4311E	MKT 4311EHD		R4311

16-1/2" x 7" Eaton ES I

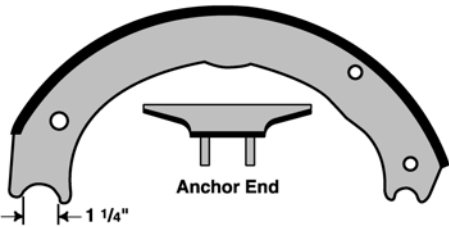


LINING TYPE	FMSI NO.	MERITOR FRICTION MIX	NEW LINED BRAKE SHOE NUMBER	NEW LINED BRAKE SHOE KIT NUMBER	MINOR HARDWARE KIT NUMBER	NEW SHOE NUMBER	
						MERITOR PRODUCTION	MERITOR AFTER-MARKET
Fras-Le Aftermarket	4709	AF520	SF520 4709ES	KSF520 4709ES	MKT 4709ES		R4709
	4709	AF540-1	SF540 4709ES	KSF540 4709ES	MKT 4709ES		R4709
	4709	AF550-1	SF550 4709ES	KSF550 4709ES	MKT 4709ES		R4709
	4709	AF555-1	SF555 4709ES	KSF555 4709ES	MKT 4709ES		R4709
	4709	AF557	SF557 4709ES	KSF557 4709ES	MKT 4709ES		R4709
Meritor Production	4709	MA210	SMA210 4709E1	KSMA210 4709E1	MKT 4709ES		R4709
	4709	MA212	SMA212 4709E1	KSMA212 4709E1	MKT 4709ES		R4709
	4709	MA310	SMA310 4709E1	KSMA310 4709E1	MKT 4709ES		R4709
	4709	MA312	SMA312 4709E1	KSMA312 4709E1	MKT 4709ES		R4709
	4709	R301	SR301 4709E1	KSR301 4709E1	MKT 4709ES		R4709

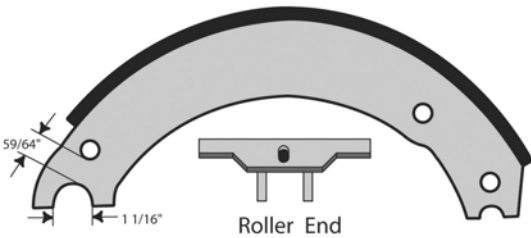
¹ Same as SMA212 4311E except has B-Lock shoe coating.

NEW LINED BRAKE SHOES & BRAKE SHOE KITS

16-1/2" x 7" Eaton ES II

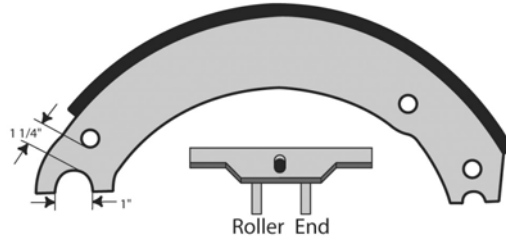
							NEW SHOE NUMBER	
LINING TYPE	FMSI NO.	MERITOR FRICTION MIX	NEW LINED BRAKE SHOE NUMBER	NEW LINED BRAKE SHOE KIT NUMBER	MINOR HARDWARE KIT NUMBER	MERITOR PRODUCTION	MERITOR AFTER-MARKET	
Fras-Le Aftermarket	4709	AF520	SF520 4709ES2	KSF520 4709ES2	MKT 4709ES2		R4709G2	
	4709	AF540-1	SF540 4709ES2	KSF540 4709ES2	MKT 4709ES2		R4709G2	
	4709	AF550-1	SF550 4709ES2	KSF550 4709ES2	MKT 4709ES2		R4709G2	
	4709	AF555-1	SF555 4709ES2	KSF555 4709ES2	MKT 4709ES2		R4709G2	
	4709	AF557	SF557 4709ES2	KSF557 4709ES2	MKT 4709ES2		R4709G2	
Meritor Production	4709	MA210	SMA210 4709E2	KSMA210 4709E2	MKT 4709ES2		R4709G2	
	4709	MA212	SMA212 4709E2	KSMA212 4709E2	MKT 4709ES2		R4709G2	
	4709	MA310	SMA310 4709E2	KSMA310 4709E2	MKT 4709ES2		R4709G2	
	4709	MA312	SMA312 4709E2	KSMA312 4709E2	MKT 4709ES2		R4709G2	
	4709	R301	SR301 4709E2	KSR301 4709E2	MKT 4709ES2		R4709G2	

16-1/2" x 7" Eaton for Fruehauf

							NEW SHOE NUMBER	
LINING TYPE	FMSI NO.	MERITOR FRICTION MIX	NEW LINED BRAKE SHOE NUMBER	NEW LINED BRAKE SHOE KIT NUMBER	MINOR HARDWARE KIT NUMBER	MERITOR PRODUCTION	MERITOR AFTER-MARKET	
Fras-Le Aftermarket	4708	AF557	SF557 4708EF	KSF557 4708EF	R507061		R4708F	

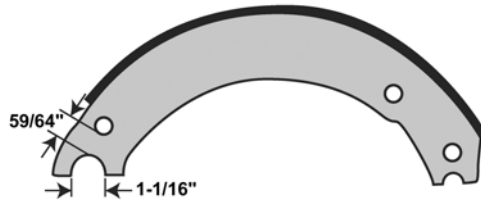
NEW LINED BRAKE SHOES & BRAKE SHOE KITS

16-1/2" x 7" Eaton for Meritor



LINING TYPE	FMSI NO.	MERITOR FRICTION MIX	NEW LINED BRAKE SHOE NUMBER	NEW LINED BRAKE SHOE KIT NUMBER	MINOR HARDWARE KIT NUMBER	NEW SHOE NUMBER	
						MERITOR PRODUCTION	MERITOR AFTER-MARKET
Fras-Le Aftermarket	4708	AF550-1	SF550 4708ER	KSF550 4708ER	R507062		R4708R
	4708	AF555-1	SF555 4708ER	KSF555 4708ER	R507062		R4708R
	4708	AF557	SF557 4708ER	KSF557 4708ER	R507062		R4708R

16-1/2" x 7" Fruehauf XEM3

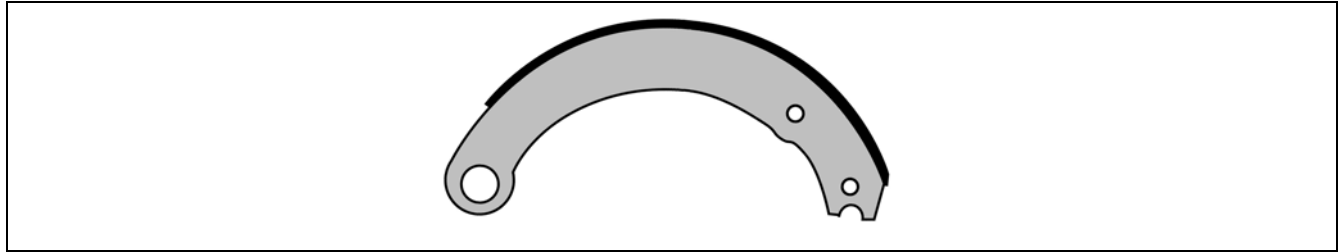


LINING TYPE	FMSI NO.	MERITOR FRICTION MIX	NEW LINED BRAKE SHOE NUMBER	NEW LINED BRAKE SHOE KIT NUMBER	MINOR HARDWARE KIT NUMBER	NEW SHOE NUMBER	
						MERITOR PRODUCTION	MERITOR AFTER-MARKET
Fras-Le Aftermarket	4515E	AF520	SF520 4515F3	KSF520 4515F3	MKT 4515X		R4515F3
	4515E	AF540-1	SF540 4515F3	KSF540 4515F3	MKT 4515X		R4515F3
	4515E	AF550-1	SF550 4515F3	KSF550 4515F3	MKT 4515X		R4515F3
	4515E	AF555-1	SF555 4515F3	KSF555 4515F3	MKT 4515X		R4515F3
	4515E	AF557	SF557 4515F3	KSF557 4515F3	MKT 4515X		R4515F3
	4515E	AF560/555-1	SFCOM 4515F3	KSFCOM 4515F3	MKT 4515X		R4515F3
Meritor Production	4515E	MA210	SMA210 4515F3	KSMA210 4515F3	MKT 4515X		R4515F3
	4515E	MA212	SMA212 4515F3	KSMA212 4515F3	MKT 4515X		R4515F3
	4515E	MA212	SMA212 4515F3BL ²	KSMA212 4515F3BL	MKT 4515X		R4515F3
	4515E	MA310	SMA310 4515F3	KSMA310 4515F3	MKT 4515X		R4515F3
	4515E	MA312	SMA312 4515F3	KSMA312 4515F3	MKT 4515X		R4515F3
	4515E	R301	SR301 4515F3	KSR301 4515F3	MKT 4515X		R4515F3

² Same as SMA212 4515F3 except has B-Lock shoe coating.

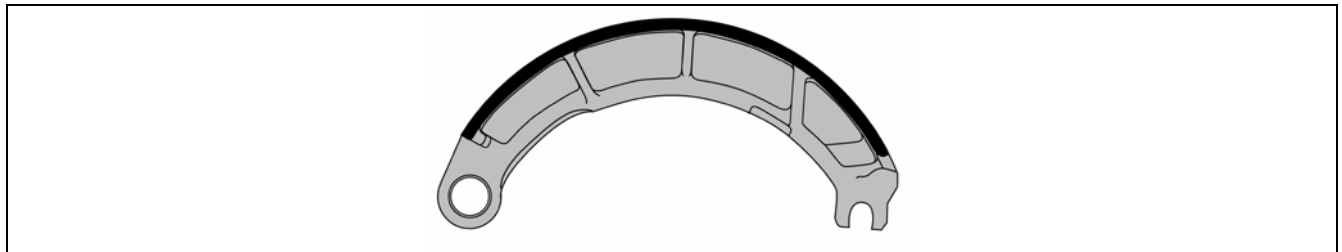
NEW LINED BRAKE SHOES & BRAKE SHOE KITS

16-1/2" x 7" Meritor P



LINING TYPE	FMSI NO.	MERITOR FRICTION MIX	NEW LINED BRAKE SHOE NUMBER	NEW LINED BRAKE SHOE KIT NUMBER	MINOR HARDWARE KIT NUMBER	NEW SHOE NUMBER	
						MERITOR PRODUCTION	MERITOR AFTER-MARKET
Fras-Le Aftermarket	4515E	AF520	SF520 4515P	KSF520 4515Q	MKT 4515P		R4515P
	4515E	AF540-1	SF540 4515P	KSF540 4515P	MKT 4515P		R4515P
	4515E	AF550-1	SF550 4515P	KSF550 4515P	MKT 4515P		R4515P
	4515E	AF555-1	SF555 4515P	KSF555 4515P	MKT 4515P		R4515P
	4515E	AF557	SF557 4515P	KSF557 4515P	MKT 4515P		R4515P
	4515E	AF560/555-1	SFCOM 4515P	KSF560 4515P	MKT 4515P		R4515P
Meritor Production	4515G	MA210	SMA210 4515P	KSMA210 4515P	KIT 9000	A3722-N-66	
	4515G	MA212	SMA212 4515P	KSMA212 4515P	KIT 9000	A3722-N-66	
	4515G	MA310	SMA310 4515P	KSMA310 4515P	KIT 9000	A3722-N-66	
	4515G	MA312	SMA312 4515P	KSMA312 4515P	KIT 9000	A3722-N-66	
	4515G	R301	SR301 4515P	KSR301 4515P	KIT 9000	A3722-N-66	
	4515G	R403	SR403 4515P	KSR403 4515P	KIT 9000	A3722-N-66	
Meritor Production - Price Point Shoes & Hardware	4515G	MA210	PSMA210 4515P	PKSMA210 4515P	MKT 4515P		R4515P
	4515G	MA212	PSMA212 4515P	PKSMA212 4515P	MKT 4515P		R4515P
	4515G	MA310	PSMA310 4515P	PKSMA310 4515P	MKT 4515P		R4515P
	4515G	MA312	PSMA312 4515P	PKSMA312 4515P	MKT 4515P		R4515P
	4515G	R301	PSR301 4515P	PKSR301 4515P	MKT 4515P		R4515P

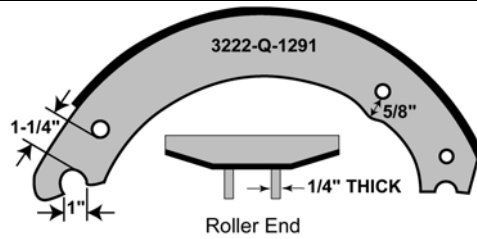
16-1/2" x 7" Meritor P Cast



LINING TYPE	FMSI NO.	MERITOR FRICTION MIX	NEW LINED BRAKE SHOE NUMBER	NEW LINED BRAKE SHOE KIT NUMBER	MINOR HARDWARE KIT NUMBER	NEW SHOE NUMBER	
						MERITOR PRODUCTION	MERITOR AFTER-MARKET
Meritor Production	4515	R301	SR301 4515PC	KSR301 4515PC	KIT 9081	A3222-D-1954	
	4515	R403	SR403 4515PC	KSR403 4515PC	KIT 9081	A3222-D-1954	

NEW LINED BRAKE SHOES & BRAKE SHOE KITS

16-1/2" x 7" Meritor Q



LINING TYPE	FMSI NO.	MERITOR FRICTION MIX	NEW LINED BRAKE SHOE NUMBER	NEW LINED BRAKE SHOE KIT NUMBER	MINOR HARDWARE KIT NUMBER	NEW SHOE NUMBER	
						MERITOR PRODUCTION	MERITOR AFTER-MARKET
Fras-Le Aftermarket	4515E	AF520	SF520 4515Q	KSF520 4515Q	MKT 4515Q		R4515
	4515E	AF540-1	SF540 4515Q	KSF540 4515Q	MKT 4515Q		R4515
	4515E	AF550-1	SF550 4515Q	KSF550 4515Q	MKT 4515Q		R4515
	4515E	AF555-1	SF555 4515Q	KSF555 4515Q	MKT 4515Q		R4515
	4515E	AF557	SF557 4515Q	KSF557 4515Q	MKT 4515Q		R4515
	4515E	AF560/555-1	SFCOM 4515Q	KSF560 4515Q	MKT 4515Q		R4515
	4515E	AF587	SF587 4515Q	KSF587 4515Q	MKT 4515Q		R4515
Meritor Production	4515G	MA210	SMA210 4515Q	KSMA210 4515Q	KIT 8000	A91-3222-S-1293	
	4515G	MA212	SMA212 4515Q	KSMA212 4515Q	KIT 8000	A91-3222-S-1293	
	4515G	MA310	SMA310 4515Q	KSMA310 4515Q	KIT 8000	A91-3222-S-1293	
	4515G	MA312	SMA312 4515Q	KSMA312 4515Q	KIT 8000	A91-3222-S-1293	
	4515G	R301	SR301 4515Q	KSR301 4515Q	KIT 8000	A91-3222-S-1293	
	4515G	R403	SR403 4515Q	KSR403 4515Q	KIT 8000	A91-3222-S-1293	
Meritor Production - Price Point Shoes & Hardware	4515G	MA210	PSMA210 4515Q	PKSMA210 4515Q	MKT 4515Q		R4515
	4515G	MA212	PSMA212 4515Q	PKSMA212 4515Q PKSMA212 4515QHD	MKT 4515Q MKT 4515QHD		R4515
	4515G	MA212	SMA212 4515QBL ³	KSMA212 4515QBL	MKT 4515Q		R4515
	4515G	MA310	PSMA310 4515Q	PKSMA310 4515Q	MKT 4515Q		R4515
	4515G	MA312	PSMA312 4515Q	PKSMA312 4515Q	MKT 4515Q		R4515
	4515G	R301	PSR301 4515Q	PKSR301 4515Q	MKT 4515Q		R4515

3 Same as PSMA212 4515Q except has B-Lock shoe coating.

NEW LINED BRAKE SHOES & BRAKE SHOE KITS

16-1/2" x 7" Meritor Q Heavy Duty

LINING TYPE	FMSI NO.	MERITOR FRICTION MIX	NEW LINED BRAKE SHOE NUMBER	NEW LINED BRAKE SHOE KIT NUMBER	MINOR HARDWARE KIT NUMBER	NEW SHOE NUMBER	
						MERITOR PRODUCTION	MERITOR AFTER-MARKET
Fras-Le Aftermarket	4515H	AF557	SF557 4515QM	KSF557 4515QM	KIT 8026HD	A3222-S-1735	
Meritor Production	4515H	R403	SR403 4515QM	KSR403 4515QM	KIT 8026HD	A3222-S-1735	

MERITOR®

DELIVERING PERFORMANCE PLUS

errors

If you detect any **errors** in this catalog, please let us know.

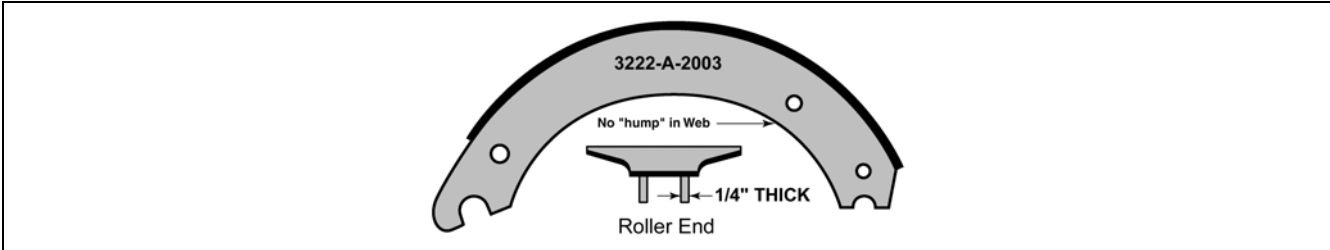
We want the information to be as accurate as possible; we appreciate your help in making it so.

Please e-mail any comments/suggestions/corrections to us at: catalogfeedback@arvinmeritor.com

or mail to: ArvinMeritor
attn: Catalog Dept.
7975 Dixie Highway
Florence, KY 41042

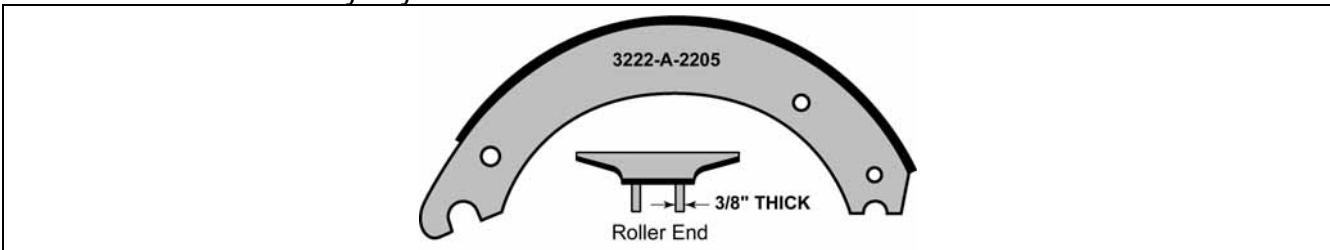
NEW LINED BRAKE SHOES & BRAKE SHOE KITS

16-1/2" x 7" Meritor Q Plus



LINING TYPE	FMSI NO.	MERITOR FRICTION MIX	NEW LINED BRAKE SHOE NUMBER	NEW LINED BRAKE SHOE KIT NUMBER	MINOR HARDWARE KIT NUMBER	NEW SHOE NUMBER	
						MERITOR PRODUCTION	MERITOR AFTER-MARKET
Fras-Le Aftermarket	4707	AF520	SF520 4707QP	KSF520 4707QP	MKT 4515QHD		R4707
	4707	AF540-1	SF540 4707QP	KSF540 4707QP	MKT 4515QHD		R4707
	4707	AF550-1	SF550 4707QP	KSF550 4707QP	MKT 4515QHD		R4707
	4707	AF555-1	SF555 4707QP	KSF555 4707QP	MKT 4515QHD		R4707
	4707	AF557	SF557 4707QP	KSF557 4707QP	MKT 4515QHD		R4707
	4707	AF560/555-1	SFCOM 4707QP	KSF560 4707QP	MKT 4515QHD		R4707
Meritor Production	4707	MA210	SMA210 4707QP	KSMA210 4707QP	KIT 8000HD	A19-3222-D-2006	
	4707	MA212	SMA212 4707QP	KSMA212 4707QP	KIT 8000HD	A19-3222-D-2006	
	4707	MA310	SMA310 4707QP	KSMA310 4707QP	KIT 8000HD	A19-3222-D-2006	
	4707	MA312	SMA312 4707QP	KSMA312 4707QP	KIT 8000HD	A19-3222-D-2006	
	4707	R301	SR301 4707QP	KSR301 4707QP	KIT 8000HD	A19-3222-D-2006	
	4707	R403	SR403 4707QP	KSR403 4707QP	KIT 8000HD	A19-3222-D-2006	
Meritor Production - Price Point Shoes & Hardware	4707	MA210	PSMA210 4707QP	PKSMA210 4707QP	MKT 4515QHD		R4707
	4707	MA212	PSMA212 4707QP	PKSMA212 4707QP	MKT 4515QHD		R4707
	4707	MA310	PSMA310 4707QP	PKSMA310 4707QP	MKT 4515QHD		R4707
	4707	MA312	PSMA312 4707QP	PKSMA312 4707QP	MKT 4515QHD		R4707
	4707	R301	PSR301 4707QP	PKSR301 4707QP	MKT 4515QHD		R4707

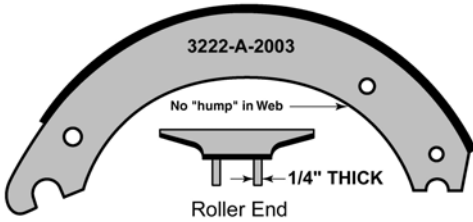
16-1/2" x 7" Meritor Q Plus Heavy Duty



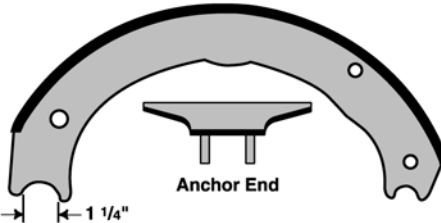
LINING TYPE	FMSI NO.	MERITOR FRICTION MIX	NEW LINED BRAKE SHOE NUMBER	NEW LINED BRAKE SHOE KIT NUMBER	MINOR HARDWARE KIT NUMBER	NEW SHOE NUMBER	
						MERITOR PRODUCTION	MERITOR AFTER-MARKET
Meritor Production	4707	MA310	SMA310 4707QPM	KSMA310 4707QPM	KIT 8844HD	A3222-X-2208	
	4707	R301	SR301 4707QPM	KSR301 4707QPM	KIT 8844HD	A3222-X-2208	
	4707	R403	SR403 4707QPM	KSR403 4707QPM	KIT 8844HD	A3222-X-2208	

NEW LINED BRAKE SHOES & BRAKE SHOE KITS

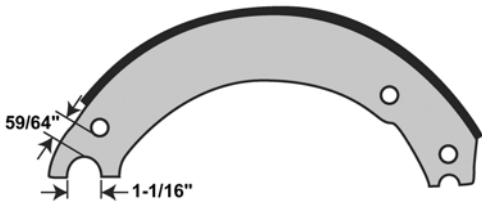
16-1/2" x 8" Meritor Q Plus

							NEW SHOE NUMBER	
LINING TYPE	FMSI NO.	MERITOR FRICTION MIX	NEW LINED BRAKE SHOE NUMBER	NEW LINED BRAKE SHOE KIT NUMBER	MINOR HARDWARE KIT NUMBER	MERITOR PRODUCTION	MERITOR AFTER-MARKET	
Fras-Le Aftermarket	4718	AF557	SF557 4718QP	KSF557 4718QP	MKT 4515QHD	A3222-J-2272		
Meritor Production	4718	MA210	SMA210 4718QP	KSMA210 4718QP	KIT 8000HD	A3222-J-2272		
	4718	MA212	SMA212 4718QP	KSMA212 4718QP	KIT 8000HD	A3222-J-2272		
	4718	MA310	SMA310 4718QP	KSMA310 4718QP	KIT 8000HD	A3222-J-2272		
	4718	MA312	SMA312 4718QP	KSMA312 4718QP	KIT 8000HD	A3222-J-2272		
	4718	R301	SR301 4718QP	KSR301 4718QP	KIT 8000HD	A3222-J-2272		

16-1/2" x 8-5/8" Eaton ES

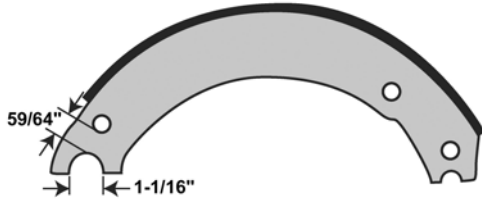
							NEW SHOE NUMBER	
LINING TYPE	FMSI NO.	MERITOR FRICTION MIX	NEW LINED BRAKE SHOE NUMBER	NEW LINED BRAKE SHOE KIT NUMBER	MINOR HARDWARE KIT NUMBER	MERITOR PRODUCTION	MERITOR AFTER-MARKET	
Meritor Production	4726	MA212	SMA212 4726E	KSMA212 4726E	MKT 4709ES2		R700026	
	4726	MA312	SMA312 4726ES	KSMA312 4726E	MKT 4709ES2		R700026	

16-1/2" x 8-5/8" Fruehauf XEM LH

							NEW SHOE NUMBER	
LINING TYPE	FMSI NO.	MERITOR FRICTION MIX	NEW LINED BRAKE SHOE NUMBER	NEW LINED BRAKE SHOE KIT NUMBER	MINOR HARDWARE KIT NUMBER	MERITOR PRODUCTION	MERITOR AFTER-MARKET	
Fras-Le Aftermarket	4551E	AF557	SF557 4551FL		MKT 4515 XHD		R704552	

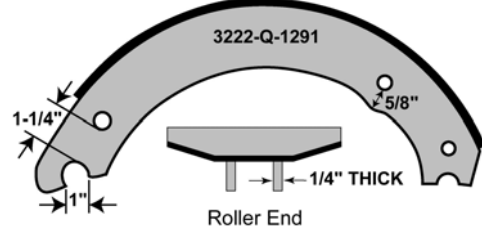
NEW LINED BRAKE SHOES & BRAKE SHOE KITS

16-1/2" x 8-5/8" Fruehauf XEM RH



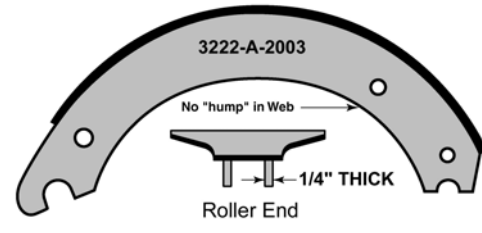
LINING TYPE	FMSI NO.	MERITOR FRICTION MIX	NEW LINED BRAKE SHOE NUMBER	NEW LINED BRAKE SHOE KIT NUMBER	MINOR HARDWARE KIT NUMBER	NEW SHOE NUMBER	
						MERITOR PRODUCTION	MERITOR AFTER-MARKET
Fras-Le Aftermarket	4551E	AF557	SF557 4551FR		MKT 4515 XHD		R704551

16-1/2" x 8-5/8" Meritor Q



LINING TYPE	FMSI NO.	MERITOR FRICTION MIX	NEW LINED BRAKE SHOE NUMBER	NEW LINED BRAKE SHOE KIT NUMBER	MINOR HARDWARE KIT NUMBER	NEW SHOE NUMBER	
						MERITOR PRODUCTION	MERITOR AFTER-MARKET
Fras-Le Aftermarket	4551E	AF557	SF557 4551Q	KSF557 4551Q	MKT 4515QHD	A3222-T-1346	
Meritor Production	4551B	MA210	SMA210 4551Q	KSMA210 4551Q	KIT 8000HD	A3222-T-1346	
	4551B	MA212	SMA212 4551Q	KSMA212 4551Q	KIT 8000HD	A3222-T-1346	
	4551B	MA310	SMA310 4551Q	KSMA310 4551Q	KIT 8000HD	A3222-T-1346	
	4551B	R301	SR301 4551Q	KSR301 4551Q	KIT 8000HD	A3222-T-1346	

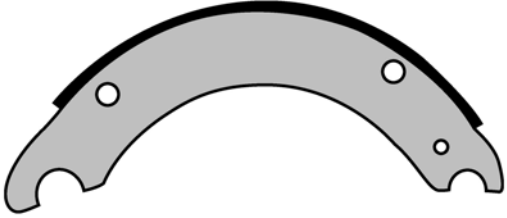
16-1/2" x 8-5/8" Meritor Q Plus



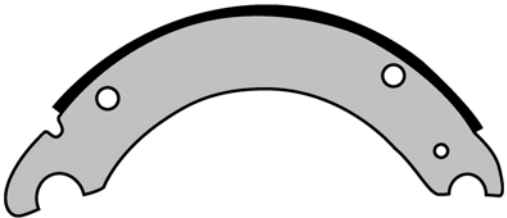
LINING TYPE	FMSI NO.	MERITOR FRICTION MIX	NEW LINED BRAKE SHOE NUMBER	NEW LINED BRAKE SHOE KIT NUMBER	MINOR HARDWARE KIT NUMBER	NEW SHOE NUMBER	
						MERITOR PRODUCTION	MERITOR AFTER-MARKET
Meritor Production	4711	MA210	SMA210 4711QP	KSMA210 4711QP	KIT 8000HD	A3222-K-2169	
	4711	MA212	SMA212 4711QP	KSMA212 4711QP	KIT 8000HD	A3222-K-2169	
	4711	MA312	SMA312 4711QP	KSMA312 4711QP	KIT 8000HD	A3222-K-2169	
	4711	R301	SR301 4711QP	KSR301 4711QP	KIT 8000HD	A3222-K-2169	
	4711	R403	SR403 4711QP	KSR403 4711QP	KIT 8000HD	A3222-K-2169	

REMANUFACTURED BRAKE SHOES & BRAKE SHOE KITS

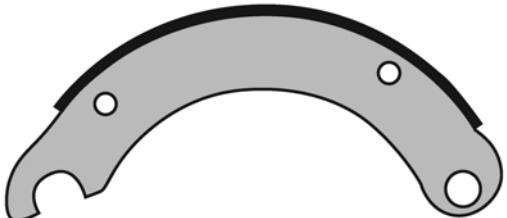
12-1/4" x 7-1/2" Dana Spicer Fast Change II

								
LINING TYPE	FMSI NO.	MERITOR FRICTION MIX	NEW LINED BRAKE SHOE NUMBER	NEW LINED BRAKE SHOE KIT NUMBER	MINOR HARDWARE KIT NUMBER	EXCHANGE SHOE CORE NO.	NEW SHOE NUMBER	
							MERITOR PRODUCTION	MERITOR AFTER-MARKET
Fras-Le Aftermarket	4692	AF557	XS557 4692FC2	XK557 4692FC2		C4692FC2		R700028
Meritor Production	4692	MA212	XSMA212 4692FC2		R507092 post 11/1/96 R507093 pre 11/1/96	C4692FC2		R700028

12-1/4" x 7-1/2" Dana Spicer U

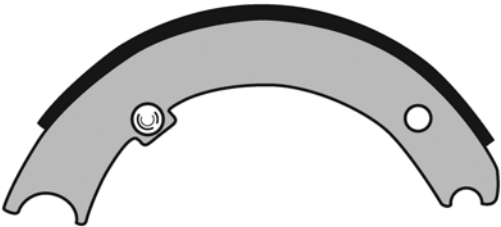
								
LINING TYPE	FMSI NO.	MERITOR FRICTION MIX	NEW LINED BRAKE SHOE NUMBER	NEW LINED BRAKE SHOE KIT NUMBER	MINOR HARDWARE KIT NUMBER	EXCHANGE SHOE CORE NO.	NEW SHOE NUMBER	
							MERITOR PRODUCTION	MERITOR AFTER-MARKET
Meritor Production	4692	MA212	XSMA212 4692U	XK212 4692U	R507076	C4692U		R700011

12-1/4" x 7-1/2" Dexter PQ

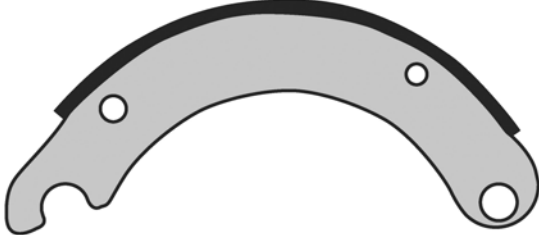
								
LINING TYPE	FMSI NO.	MERITOR FRICTION MIX	NEW LINED BRAKE SHOE NUMBER	NEW LINED BRAKE SHOE KIT NUMBER	MINOR HARDWARE KIT NUMBER	EXCHANGE SHOE CORE NO.	NEW SHOE NUMBER	
							MERITOR PRODUCTION	MERITOR AFTER-MARKET
Fras-Le Aftermarket	4591	AF557	XS557 4591D	XK557 4591D	R507095	C4591D		R700031
Meritor Production	4591	MA212	XSMA212 4591D	XK212 4591D	R507095	C4591D		R700031

REMANUFACTURED BRAKE SHOES & BRAKE SHOE KITS

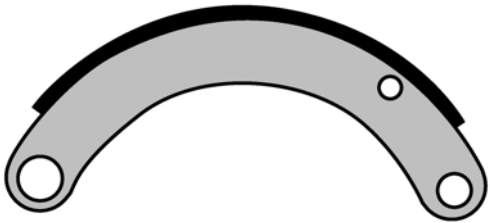
12-1/4" x 7-1/2" Eaton

								
LINING TYPE	FMSI NO.	MERITOR FRICTION MIX	NEW LINED BRAKE SHOE NUMBER	NEW LINED BRAKE SHOE KIT NUMBER	MINOR HARDWARE KIT NUMBER	EXCHANGE SHOE CORE NO.	NEW SHOE NUMBER	
							MERITOR PRODUCTION	MERITOR AFTER-MARKET
Fras-Le Aftermarket	4591	AF557	XS557 4591E	XK557 4591E	R507000	C4591E		R700001
Meritor Production	4591	MA212	XSMA212 4591E	XK212 4591E	R507000	C4591E		R700001

12-1/4" x 7-1/2" Meritor Q

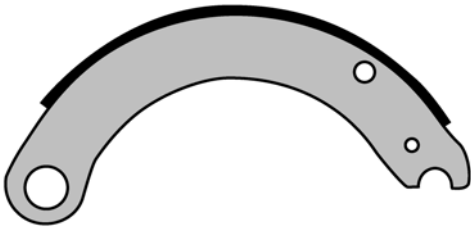
								
LINING TYPE	FMSI NO.	MERITOR FRICTION MIX	NEW LINED BRAKE SHOE NUMBER	NEW LINED BRAKE SHOE KIT NUMBER	MINOR HARDWARE KIT NUMBER	EXCHANGE SHOE CORE NO.	NEW SHOE NUMBER	
							MERITOR PRODUCTION	MERITOR AFTER-MARKET
Fras-Le Aftermarket	4670	AF550-1	XS550 4670Q	XK550 4670Q	KIT 8004	C4670	A3222-S-1527	
	4670	AF557	XS557 4670Q	XK557 4670Q	KIT 8004	C4670	A3222-S-1527	
Meritor Production	4670	MA212	XSMA212 4670Q	XK212 4670Q	KIT 8004	C4670	A3222-S-1527	
	4670	MA312	XSMA312 4670Q	XK312 4670Q	KIT 8004	C4670	A3222-S-1527	

12-1/4" x 7-1/2" Standard Forge Closed Roller End

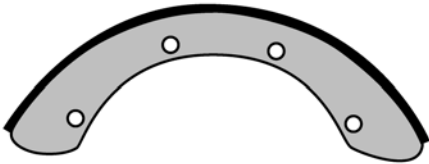
								
LINING TYPE	FMSI NO.	MERITOR FRICTION MIX	NEW LINED BRAKE SHOE NUMBER	NEW LINED BRAKE SHOE KIT NUMBER	MINOR HARDWARE KIT NUMBER	EXCHANGE SHOE CORE NO.	NEW SHOE NUMBER	
							MERITOR PRODUCTION	MERITOR AFTER-MARKET
Fras-Le Aftermarket	4591	AF557	XS557 4591S	XK557 4591S	R507015	C4591S		R704591
Meritor Production	4591	MA212	XSMA212 4591S	XK212 4591S	R507074	C4591S		R704591

REMANUFACTURED BRAKE SHOES & BRAKE SHOE KITS

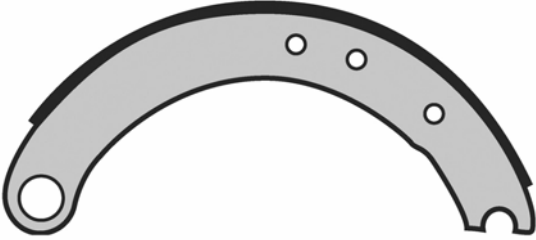
12-1/4" x 7-1/2" Standard Forge Open Roller End

								
LINING TYPE	FMSI NO.	MERITOR FRICTION MIX	NEW LINED BRAKE SHOE NUMBER	NEW LINED BRAKE SHOE KIT NUMBER	MINOR HARDWARE KIT NUMBER	EXCHANGE SHOE CORE NO.	NEW SHOE NUMBER	
							MERITOR PRODUCTION	MERITOR AFTER-MARKET
Meritor Production	4692	MA212	XSMA212 4692	XK212 4692	R507074	C4692		R700007

15" x 3-1/2" Meritor Stopmaster Wedge

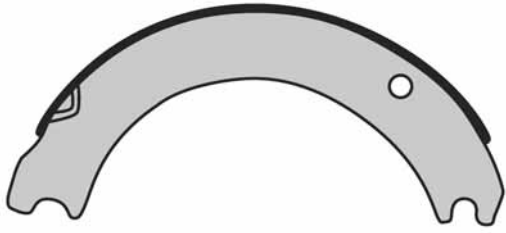
								
LINING TYPE	FMSI NO.	MERITOR FRICTION MIX	NEW LINED BRAKE SHOE NUMBER	NEW LINED BRAKE SHOE KIT NUMBER	MINOR HARDWARE KIT NUMBER	EXCHANGE SHOE CORE NO.	NEW SHOE NUMBER	
							MERITOR PRODUCTION	MERITOR AFTER-MARKET
Meritor Production	4562	MA212	XSMA212 4562SM			C4562		

15" x 3-1/2" Meritor T Front

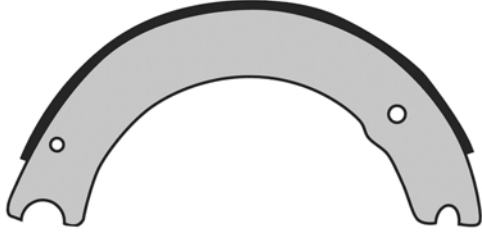
								
LINING TYPE	FMSI NO.	MERITOR FRICTION MIX	NEW LINED BRAKE SHOE NUMBER	NEW LINED BRAKE SHOE KIT NUMBER	MINOR HARDWARE KIT NUMBER	EXCHANGE SHOE CORE NO.	NEW SHOE NUMBER	
							MERITOR PRODUCTION	MERITOR AFTER-MARKET
Meritor Production	1307	MA212	XSMA212 1307T	XK212 1307T	KIT 9094	C1307	A3222-K-1103	

REMANUFACTURED BRAKE SHOES & BRAKE SHOE KITS

15" x 4" Bendix

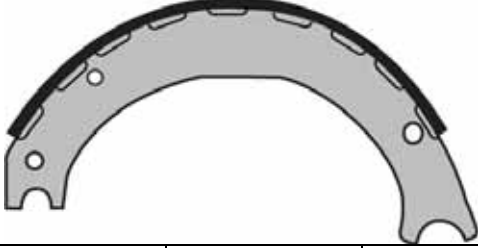
								
LINING TYPE	FMSI NO.	MERITOR FRICTION MIX	NEW LINED BRAKE SHOE NUMBER	NEW LINED BRAKE SHOE KIT NUMBER	MINOR HARDWARE KIT NUMBER	EXCHANGE SHOE CORE NO.	NEW SHOE NUMBER	
							MERITOR PRODUCTION	MERITOR AFTER-MARKET
Meritor Production	4693	MA212	XSMA212 4693	XK212 4693	R507080	C4693		R700013

15" x 4" Eaton Front

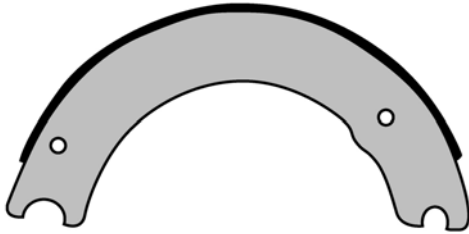
								
LINING TYPE	FMSI NO.	MERITOR FRICTION MIX	NEW LINED BRAKE SHOE NUMBER	NEW LINED BRAKE SHOE KIT NUMBER	MINOR HARDWARE KIT NUMBER	EXCHANGE SHOE CORE NO.	NEW SHOE NUMBER	
							MERITOR PRODUCTION	MERITOR AFTER-MARKET
Fras-Le Aftermarket	1308TT	AF550-1	XS550 1308E	XK550 1308E	MKT 1308E	C1308E		R1308E
	1308TT	AF555-1	XS555 1308E	XK555 1308E	MKT 1308E	C1308E		R1308E
	1308TT	AF557	XS557 1308E	XK557 1308E	MKT 1308E	C1308E		R1308E
Meritor Production	1308TT	MA210	XSMA210 1308E	XK210 1308E	MKT 1308E	C1308E		R1308E
	1308TT	MA212	XSMA212 1308E	XK212 1308E	MKT 1308E	C1308E		R1308E
	1308TT	MA310	XSMA310 1308E	XK310 1308E	MKT 1308E	C1308E		R1308E
	1308TT	MA312	XSMA312 1308E	XK312 1308E	MKT 1308E	C1308E		R1308E
	1308TT	R301	XSR301 1308E	XK301 1308E	MKT 1308E	C1308E		R1308E

REMANUFACTURED BRAKE SHOES & BRAKE SHOE KITS

15" x 4" Eaton ES Front - Block Lining

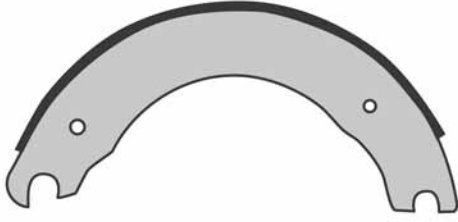
								
LINING TYPE	FMSI NO.	MERITOR FRICTION MIX	NEW LINED BRAKE SHOE NUMBER	NEW LINED BRAKE SHOE KIT NUMBER	MINOR HARDWARE KIT NUMBER	EXCHANGE SHOE CORE NO.	NEW SHOE NUMBER	
							MERITOR PRODUCTION	MERITOR AFTER-MARKET
Meritor Production	4729	MA212	XSMA212 4729ES	XK212 4729ES	R615026	C4729		R4729

15" x 4" Eaton ES Front - Strip Lining

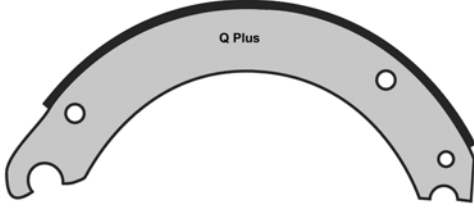
								
LINING TYPE	FMSI NO.	MERITOR FRICTION MIX	NEW LINED BRAKE SHOE NUMBER	NEW LINED BRAKE SHOE KIT NUMBER	MINOR HARDWARE KIT NUMBER	EXCHANGE SHOE CORE NO.	NEW SHOE NUMBER	
							MERITOR PRODUCTION	MERITOR AFTER-MARKET
Fras-Le Aftermarket	1443TT	AF555-1	XS555 1443E	XK555 1443E	MKT 1308E	C1443		R700017
	1443TT	AF557	XS557 1443E	XK557 1443E	MKT 1308E	C1443		R700017
Meritor Production	1443TT	MA210	XSMA210 1443E	XK210 1443E	MKT 1308E	C1443		R700017
	1443TT	MA212	XSMA212 1443E	XK212 1443E	MKT 1308E	C1443		R700017
	1443TT	MA312	XSMA312 1443E	XK312 1443E	MKT 1308E	C1443		R700017
	1443TT	R301	XSR301 1443E	XK301 1443E	MKT 1308E	C1443		R700017

REMANUFACTURED BRAKE SHOES & BRAKE SHOE KITS

15" x 4" Meritor Q Front

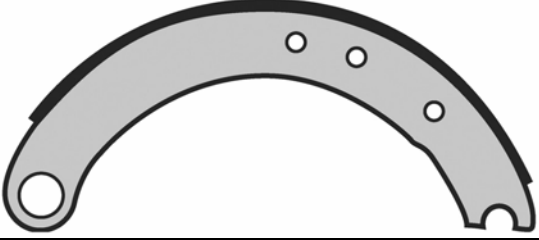
								
LINING TYPE	FMSI NO.	MERITOR FRICTION MIX	NEW LINED BRAKE SHOE NUMBER	NEW LINED BRAKE SHOE KIT NUMBER	MINOR HARDWARE KIT NUMBER	EXCHANGE SHOE CORE NO.	NEW SHOE NUMBER	
							MERITOR PRODUCTION	MERITOR AFTER-MARKET
Fras-Le Aftermarket	1308TT	AF550-1	XS550 1308Q	XK550 1308Q	MKT 1308Q	C1308	A3222-F-1982	
	1308TT	AF555-1	XS555 1308Q	XK555 1308Q	MKT 1308Q	C1308	A3222-F-1982	
	1308TT	AF557	XS557 1308Q	XK557 1308Q	MKT 1308Q	C1308	A3222-F-1982	
Meritor Production	1308TT	MA210	XSMA210 1308Q	XK210 1308Q	KIT 8029	C1308	A3222-F-1982	
	1308TT	MA212	XSMA212 1308Q	XK212 1308Q	KIT 8029	C1308	A3222-F-1982	
	1308TT	MA310	XSMA310 1308Q	XK310 1308Q	KIT 8029	C1308	A3222-F-1982	
	1308TT	MA312	XSMA312 1308Q	XK312 1308Q	KIT 8029	C1308	A3222-F-1982	
	1308TT	R301	XSR301 1308Q	XK301 1308Q	KIT 8029	C1308	A3222-F-1982	

15" x 4" Meritor Q Plus Front

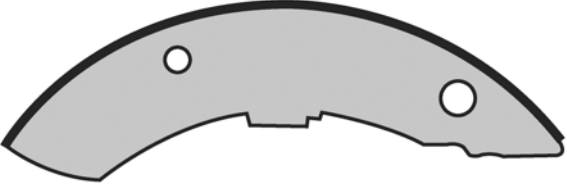
								
LINING TYPE	FMSI NO.	MERITOR FRICTION MIX	NEW LINED BRAKE SHOE NUMBER	NEW LINED BRAKE SHOE KIT NUMBER	MINOR HARDWARE KIT NUMBER	EXCHANGE SHOE CORE NO.	NEW SHOE NUMBER	
							MERITOR PRODUCTION	MERITOR AFTER-MARKET
Fras-Le Aftermarket	4702	AF550-1	XS550 4702QP	XK550 4702QP	MKT 4702KT	C4702QP	A3222-M-2223	
	4702	AF555-1	XS555 4702QP	XK555 4702QP	MKT 4702KT	C4702QP	A3222-M-2223	
	4702	AF557	XS557 4702QP	XK557 4702QP	MKT 4702KT	C4702QP	A3222-M-2223	
Meritor Production	4702	MA210	XSMA210 4702QP	XK210 4702QP	KIT 8824HD	C4702QP	A3222-M-2223	
	4702	MA212	XSMA212 4702QP	XK212 4702QP	KIT 8824HD	C4702QP	A3222-M-2223	
	4702	MA310	XSMA310 4702QP	XK310 4702QP	KIT 8824HD	C4702QP	A3222-M-2223	
	4702	MA312	XSMA312 4702QP	XK312 4702QP	KIT 8824HD	C4702QP	A3222-M-2223	
	4702	R301	XSR301 4702QP	XK301 4702QP	KIT 8824HD	C4702QP	A3222-M-2223	

REMANUFACTURED BRAKE SHOES & BRAKE SHOE KITS

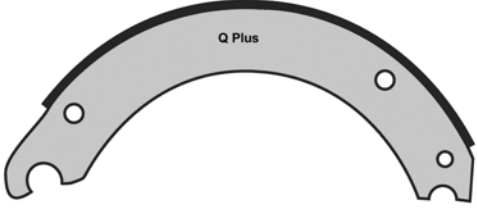
15" x 4" Meritor T Front

								
LINING TYPE	FMSI NO.	MERITOR FRICTION MIX	NEW LINED BRAKE SHOE NUMBER	NEW LINED BRAKE SHOE KIT NUMBER	MINOR HARDWARE KIT NUMBER	EXCHANGE SHOE CORE NO.	NEW SHOE NUMBER	
							MERITOR PRODUCTION	MERITOR AFTER-MARKET
Fras-Le Aftermarket	1308TT	AF550-1	XS550 1308T	XK550 1308T	KIT 1125	C1308T	A3222-F-1072	
	1308TT	AF555-1	XS555 1308T	XK555 1308T	KIT 1125	C1308T	A3222-F-1072	
	1308TT	AF557	XS557 1308T	XK557 1308T	KIT 1125	C1308T	A3222-F-1072	
Meritor Production	1308TT	MA212	XSMA212 1308T	XK212 1308T	KIT 9094	C1308T	A3222-F-1072	
	1308TT	MA310	XSMA310 1308T	XK310 1308T	KIT 9094	C1308T	A3222-F-1072	
	1308TT	R301	XSR301 1308T	XK301 1308T	KIT 9094	C1308T	A3222-F-1072	

15" x 5" Meritor Lucas Hydraulic


								
LINING TYPE	FMSI NO.	MERITOR FRICTION MIX	NEW LINED BRAKE SHOE NUMBER	NEW LINED BRAKE SHOE KIT NUMBER	MINOR HARDWARE KIT NUMBER	EXCHANGE SHOE CORE NO.	NEW SHOE NUMBER	
							MERITOR PRODUCTION	MERITOR AFTER-MARKET
Meritor Production	4528A	MA212	XSMA212 4528L		SP7896S , SP7897S	C4528	45 1003	

15" x 5" Meritor Q Plus Front

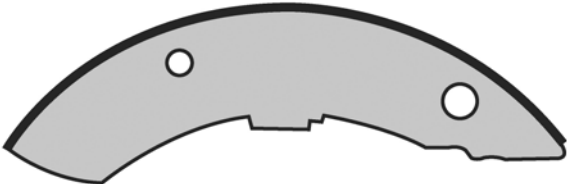
								
LINING TYPE	FMSI NO.	MERITOR FRICTION MIX	NEW LINED BRAKE SHOE NUMBER	NEW LINED BRAKE SHOE KIT NUMBER	MINOR HARDWARE KIT NUMBER	EXCHANGE SHOE CORE NO.	NEW SHOE NUMBER	
							MERITOR PRODUCTION	MERITOR AFTER-MARKET
Fras-Le Aftermarket	4703	AF557	XS557 4703QP	XK557 4703QP	MKT 4702KT	C4703QP	A3222-D-2110	
Meritor Production	4703	MA212	XSMA212 4703QP	XK212 4703QP	KIT 8824HD	C4703QP	A3222-D-2110	
	4703	MA312	XSMA312 4703QP	XK312 4703QP	KIT 8824HD	C4703QP	A3222-D-2110	
	4703	R301	XSR301 4703QP	XK301 4703QP	KIT 8824HD	C4703QP	A3222-D-2110	
	4703	R403	XSR403 4703QP	XK403 4703QP	KIT 8824HD	C4703QP	A3222-D-2110	

REMANUFACTURED BRAKE SHOES & BRAKE SHOE KITS

15" x 6" Bendix Wedge

								
LINING TYPE	FMSI NO.	MERITOR FRICTION MIX	NEW LINED BRAKE SHOE NUMBER	NEW LINED BRAKE SHOE KIT NUMBER	MINOR HARDWARE KIT NUMBER	EXCHANGE SHOE CORE NO.	NEW SHOE NUMBER	
							MERITOR PRODUCTION	MERITOR AFTER-MARKET
Meritor Production	4605	MA212	XSMA212 4605BW			C4605B		

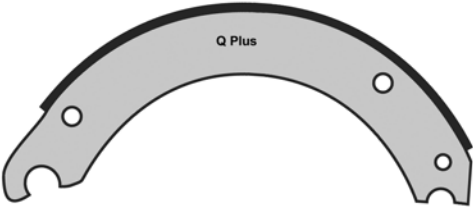
15" x 6" Meritor Lucas Hydraulic

								
LINING TYPE	FMSI NO.	MERITOR FRICTION MIX	NEW LINED BRAKE SHOE NUMBER	NEW LINED BRAKE SHOE KIT NUMBER	MINOR HARDWARE KIT NUMBER	EXCHANGE SHOE CORE NO.	NEW SHOE NUMBER	
							MERITOR PRODUCTION	MERITOR AFTER-MARKET
Meritor Production	4504A	MA212	XSMA212 4504L		SP7896S , SP7897S	C4504	45 1004	

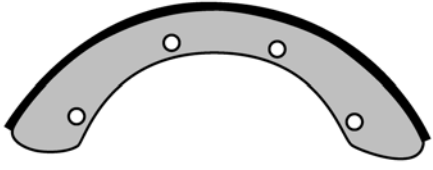
MERITOR®
DELIVERING PERFORMANCE PLUS

REMANUFACTURED BRAKE SHOES & BRAKE SHOE KITS

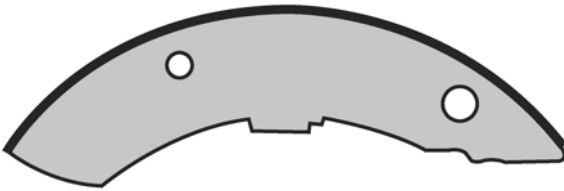
15" x 6" Meritor Q Plus Front

								
LINING TYPE	FMSI NO.	MERITOR FRICTION MIX	NEW LINED BRAKE SHOE NUMBER	NEW LINED BRAKE SHOE KIT NUMBER	MINOR HARDWARE KIT NUMBER	EXCHANGE SHOE CORE NO.	NEW SHOE NUMBER	
							MERITOR PRODUCTION	MERITOR AFTER-MARKET
Meritor Production	4704	MA212	XSMA212 4704QP	XK212 4704QP	KIT 8824HD	C4704QP	A3222-E-2111	

15" x 6" Meritor Stopmaster Wedge

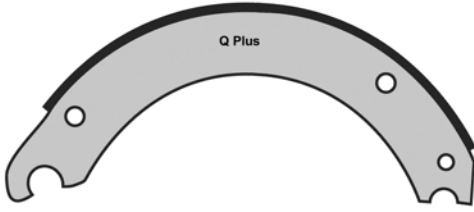
								
LINING TYPE	FMSI NO.	MERITOR FRICTION MIX	NEW LINED BRAKE SHOE NUMBER	NEW LINED BRAKE SHOE KIT NUMBER	MINOR HARDWARE KIT NUMBER	EXCHANGE SHOE CORE NO.	NEW SHOE NUMBER	
							MERITOR PRODUCTION	MERITOR AFTER-MARKET
Meritor Production	4605	MA212	XSMA212 4605SM			C4605R	A3722-U-359	

15" x 7" Meritor Lucas Hydraulic

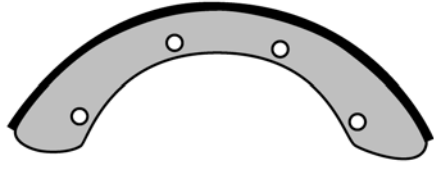
								
LINING TYPE	FMSI NO.	MERITOR FRICTION MIX	NEW LINED BRAKE SHOE NUMBER	NEW LINED BRAKE SHOE KIT NUMBER	MINOR HARDWARE KIT NUMBER	EXCHANGE SHOE CORE NO.	NEW SHOE NUMBER	
							MERITOR PRODUCTION	MERITOR AFTER-MARKET
Meritor Production	4505A	MA212	XSMA212 4505L		SP7896S , SP7897S	C4505	45 1005	

REMANUFACTURED BRAKE SHOES & BRAKE SHOE KITS

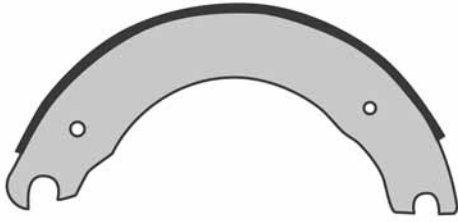
15" x 7" Meritor Q Plus Front

								
LINING TYPE	FMSI NO.	MERITOR FRICTION MIX	NEW LINED BRAKE SHOE NUMBER	NEW LINED BRAKE SHOE KIT NUMBER	MINOR HARDWARE KIT NUMBER	EXCHANGE SHOE CORE NO.	NEW SHOE NUMBER	
							MERITOR PRODUCTION	MERITOR AFTER-MARKET
Meritor Production	4705	MA212	XSMA212 4705QP	XK212 4705QP	KIT 8824HD	C4705QP	A3222-F-2112	

15" x 7" Meritor Stopmaster Wedge

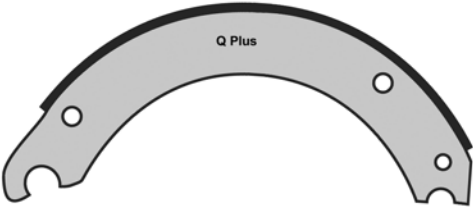
								
LINING TYPE	FMSI NO.	MERITOR FRICTION MIX	NEW LINED BRAKE SHOE NUMBER	NEW LINED BRAKE SHOE KIT NUMBER	MINOR HARDWARE KIT NUMBER	EXCHANGE SHOE CORE NO.	NEW SHOE NUMBER	
							MERITOR PRODUCTION	MERITOR AFTER-MARKET
Meritor Production	4602	MA310	XSMA310 4602RD		KIT 1162	C4602R	A3222-S-2021	

15" x 8-5/8" Eaton ES


								
LINING TYPE	FMSI NO.	MERITOR FRICTION MIX	NEW LINED BRAKE SHOE NUMBER	NEW LINED BRAKE SHOE KIT NUMBER	MINOR HARDWARE KIT NUMBER	EXCHANGE SHOE CORE NO.	NEW SHOE NUMBER	
							MERITOR PRODUCTION	MERITOR AFTER-MARKET
Meritor Production	4717	MA212	XSMA212 4717ES	XK212 4717E	R507083	C4717	R700018	

REMANUFACTURED BRAKE SHOES & BRAKE SHOE KITS

15" x 8-5/8" Meritor Q Plus

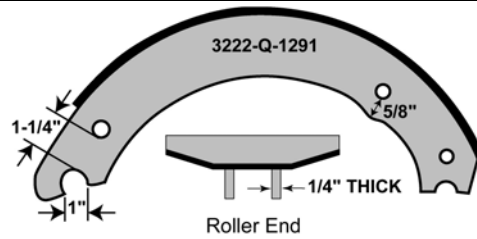
								
LINING TYPE	FMSI NO.	MERITOR FRICTION MIX	NEW LINED BRAKE SHOE NUMBER	NEW LINED BRAKE SHOE KIT NUMBER	MINOR HARDWARE KIT NUMBER	EXCHANGE SHOE CORE NO.	NEW SHOE NUMBER	
							MERITOR PRODUCTION	MERITOR AFTER-MARKET
Fras-Le Aftermarket	4710	AF555-1	XS555 4710QP	XK555 4710QP	MKT 4702KT	C4710QP	A3222-A-2159	
Meritor Production	4710	MA212	XSMA212 4710QP	XK212 4710QP	KIT 8824HD	C4710QP	A3222-A-2159	
	4710	MA312	XSMA312 4710QP	XK312 4710QP	KIT 8824HD	C4710QP	A3222-A-2159	
	4710	R301	XSR301 4710QP	XK301 4710QP	KIT 8824HD	C4710QP	A3222-A-2159	

16-1/4" x 3-1/2" Meritor T

								
LINING TYPE	FMSI NO.	MERITOR FRICTION MIX	NEW LINED BRAKE SHOE NUMBER	NEW LINED BRAKE SHOE KIT NUMBER	MINOR HARDWARE KIT NUMBER	EXCHANGE SHOE CORE NO.	NEW SHOE NUMBER	
							MERITOR PRODUCTION	MERITOR AFTER-MARKET
Meritor Production	4561	MA212	XSMA212 4561T		KIT 9176 or KIT 9423	C4561	A3722-U-385	

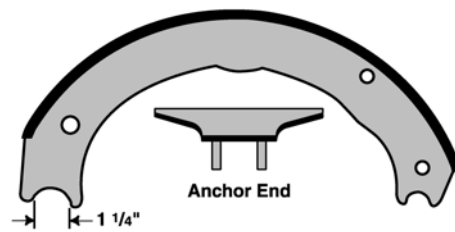
REMANUFACTURED BRAKE SHOES & BRAKE SHOE KITS

16-1/2" x 4" Meritor Q



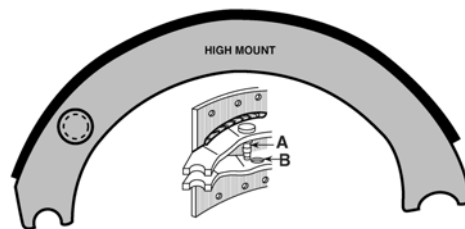
LINING TYPE	FMSI NO.	MERITOR FRICTION MIX	NEW LINED BRAKE SHOE NUMBER	NEW LINED BRAKE SHOE KIT NUMBER	MINOR HARDWARE KIT NUMBER	EXCHANGE SHOE CORE NO.	NEW SHOE NUMBER	
							MERITOR PRODUCTION	MERITOR AFTER-MARKET
Meritor Production	4549C	MA212	XSMA212 4549Q	XK212 4549Q	KIT 8000	C4549Q	A3722-B-80	

16-1/2" x 5" Eaton ES



LINING TYPE	FMSI NO.	MERITOR FRICTION MIX	NEW LINED BRAKE SHOE NUMBER	NEW LINED BRAKE SHOE KIT NUMBER	MINOR HARDWARE KIT NUMBER	EXCHANGE SHOE CORE NO.	NEW SHOE NUMBER	
							MERITOR PRODUCTION	MERITOR AFTER-MARKET
Fras-Le Aftermarket	4719	AF557	XS557 4719ES	XK557 4719E	R507094	C4719		R700024
Meritor Production	4719	MA212	XSMA212 4719ES	XK212 4719E	R507094	C4719		R700024

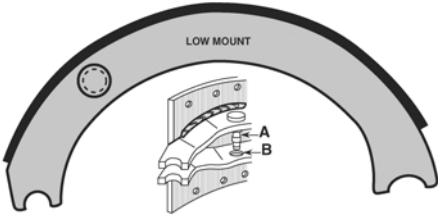
16-1/2" x 5" Eaton High Mount



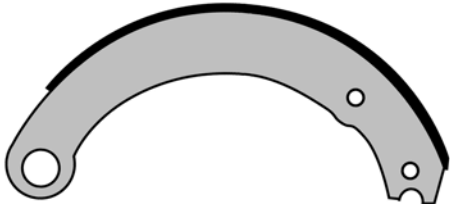
LINING TYPE	FMSI NO.	MERITOR FRICTION MIX	NEW LINED BRAKE SHOE NUMBER	NEW LINED BRAKE SHOE KIT NUMBER	MINOR HARDWARE KIT NUMBER	EXCHANGE SHOE CORE NO.	NEW SHOE NUMBER	
							MERITOR PRODUCTION	MERITOR AFTER-MARKET
Meritor Production	4223A	MA212	XSMA212 4223EH	XK212 4223EH	R507077	C4223H		R700008

REMANUFACTURED BRAKE SHOES & BRAKE SHOE KITS

16-1/2" x 5" Eaton Low Mount

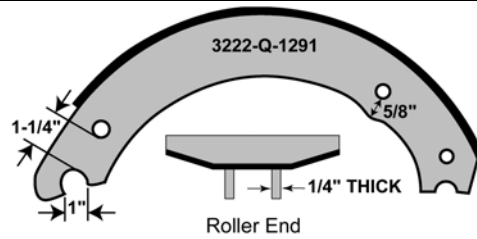
								
LINING TYPE	FMSI NO.	MERITOR FRICTION MIX	NEW LINED BRAKE SHOE NUMBER	NEW LINED BRAKE SHOE KIT NUMBER	MINOR HARDWARE KIT NUMBER	EXCHANGE SHOE CORE NO.	NEW SHOE NUMBER	
							MERITOR PRODUCTION	MERITOR AFTER-MARKET
Fras-Le Aftermarket	4223A	AF557	XS557 4223E	XK557 4223E	MKT 4311EHD	C4223		
Meritor Production	4223A	MA212	XSMA212 4223E	XK212 4223E	MKT 4311EHD	C4223		
	4223A	MA312	XSMA312 4223E	XK312 4223E	MKT 4311EHD	C4223		

16-1/2" x 5" Meritor P

								
LINING TYPE	FMSI NO.	MERITOR FRICTION MIX	NEW LINED BRAKE SHOE NUMBER	NEW LINED BRAKE SHOE KIT NUMBER	MINOR HARDWARE KIT NUMBER	EXCHANGE SHOE CORE NO.	NEW SHOE NUMBER	
							MERITOR PRODUCTION	MERITOR AFTER-MARKET
Fras-Le Aftermarket	4524B	AF555-1	XS555 4524P	XK555 4524P	MKT 4515P	C4524P	A3722-D-82	
Meritor Production	4524B	MA212	XSMA212 4524P	XK212 4524P	KIT 9000	C4524P	A3722-D-82	
	4524B	R301	XSR301 4524P	XK301 4524P	KIT 9000	C4524P	A3722-D-82	

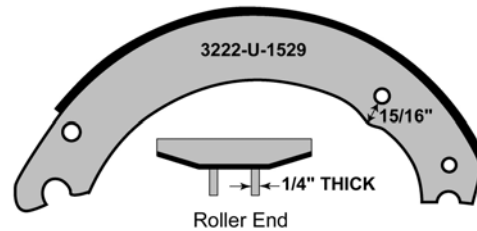
REMANUFACTURED BRAKE SHOES & BRAKE SHOE KITS

16-1/2" x 5" Meritor Q



LINING TYPE	FMSI NO.	MERITOR FRICTION MIX	NEW LINED BRAKE SHOE NUMBER	NEW LINED BRAKE SHOE KIT NUMBER	MINOR HARDWARE KIT NUMBER	EXCHANGE SHOE CORE NO.	NEW SHOE NUMBER	
							MERITOR PRODUCTION	MERITOR AFTER-MARKET
Fras-Le Aftermarket	4524B	AF540-1	XS540 4524Q	XK540 4524Q	MKT 4515Q	C4524Q	A3222-E-1383	
	4524B	AF550-1	XS550 4524Q	XK550 4524Q	MKT 4515Q	C4524Q	A3222-E-1383	
	4524B	AF555-1	XS555 4524Q	XK555 4524Q	MKT 4515Q	C4524Q	A3222-E-1383	
	4524B	AF557	XS557 4524Q	XK557 4524Q	MKT 4515Q	C4524Q	A3222-E-1383	
	4524B	AF560/555-1	XSCOM 4524Q	XKCOM 4524Q	MKT 4515Q	C4524Q	A3222-E-1383	
Meritor Production	4524B	MA212	XSMA212 4524Q	XK212 4524Q	KIT 8000	C4524Q	A3222-E-1383	
	4524B	MA310	XSMA310 4524Q	XK310 4524Q	KIT 8000	C4524Q	A3222-E-1383	
	4524B	MA312	XSMA312 4524Q	XK312 4524Q	KIT 8000	C4524Q	A3222-E-1383	
	4524B	R301	XSR301 4524Q	XK301 4524Q	KIT 8000	C4524Q	A3222-E-1383	
	4524B	R403	XSR403 4524Q	XK403 4524Q	KIT 8000	C4524Q	A3222-E-1383	

16-1/2" x 5" Meritor Q for 1.68" Offset Spider



LINING TYPE	FMSI NO.	MERITOR FRICTION MIX	NEW LINED BRAKE SHOE NUMBER	NEW LINED BRAKE SHOE KIT NUMBER	MINOR HARDWARE KIT NUMBER	EXCHANGE SHOE CORE NO.	NEW SHOE NUMBER	
							MERITOR PRODUCTION	MERITOR AFTER-MARKET
Fras-Le Aftermarket	4524B	AF557	XS557 4524QA	XK557 4524QA	R508053	C4524QA	A3222-G-1541	
Meritor Production	4524B	R301	XSR301 4524QA		KIT 8028A	C4524QA	A3222-G-1541	

REMANUFACTURED BRAKE SHOES & BRAKE SHOE KITS

16-1/2" x 5" Meritor Q with Relocated Return Spring Hole

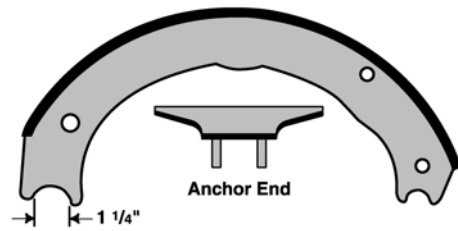
LINING TYPE	FMSI NO.	MERITOR FRICTION MIX	NEW LINED BRAKE SHOE NUMBER	NEW LINED BRAKE SHOE KIT NUMBER	MINOR HARDWARE KIT NUMBER	EXCHANGE SHOE CORE NO.	NEW SHOE NUMBER	
							MERITOR PRODUCTION	MERITOR AFTER-MARKET
Fras-Le Aftermarket	4524B	AF555-1	XS555 4524QR	XK555 4524QR	R508053	C4524QR	A3222-J-1440	
	4524B	AF557	XS557 4524QR	XK557 4524QR	R508053	C4524QR	A3222-J-1440	
Meritor Production	4524B	MA212	XSMA212 4524QR	XK212 4524QR	KIT 8081	C4524QR	A3222-J-1440	
	4524B	MA310	XSMA310 4524QR	XK310 4524QR	KIT 8081	C4524QR	A3222-J-1440	
	4524B	MA312	XSMA312 4524QR	XK312 4524QR	KIT 8081	C4524QR	A3222-J-1440	
	4524B	R301	XSR301 4524QR	XK301 4524QR	KIT 8081	C4524QR	A3222-J-1440	
	4524B	R403	XSR403 4524QR	XK403 4524QR	KIT 8081	C4524QR	A3222-J-1440	

16-1/2" x 5" Meritor Q Plus

LINING TYPE	FMSI NO.	MERITOR FRICTION MIX	NEW LINED BRAKE SHOE NUMBER	NEW LINED BRAKE SHOE KIT NUMBER	MINOR HARDWARE KIT NUMBER	EXCHANGE SHOE CORE NO.	NEW SHOE NUMBER	
							MERITOR PRODUCTION	MERITOR AFTER-MARKET
Fras-Le Aftermarket	4720	AF555-1	XS555 4720QP	XK555 4720QP	R508053	C4720QP	A3222-Z-2288	
Meritor Production	4720	MA212	XSMA212 4720QP	XK212 4720QP	KIT 8081	C4720QP	A3222-Z-2288	
	4720	MA310	XSMA310 4720QP	XK310 4720QP	KIT 8081	C4720QP	A3222-Z-2288	
	4720	MA312	XSMA312 4720QP	XK312 4720QP	KIT 8081	C4720QP	A3222-Z-2288	
	4720	R301	XSR301 4720QP	XK301 4720QP	KIT 8081	C4720QP	A3222-Z-2288	

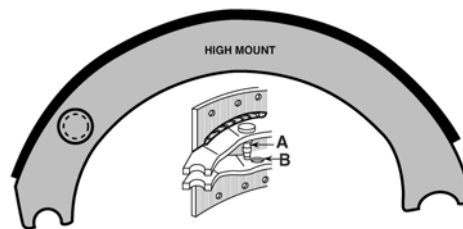
REMANUFACTURED BRAKE SHOES & BRAKE SHOE KITS

16-1/2" x 6" Eaton ES



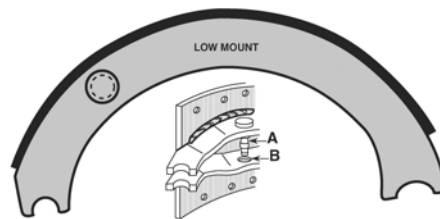
LINING TYPE	FMSI NO.	MERITOR FRICTION MIX	NEW LINED BRAKE SHOE NUMBER	NEW LINED BRAKE SHOE KIT NUMBER	MINOR HARDWARE KIT NUMBER	EXCHANGE SHOE CORE NO.	NEW SHOE NUMBER	
							MERITOR PRODUCTION	MERITOR AFTER-MARKET
Fras-Le Aftermarket	4725	AF557	XS557 4725ES	XK557 4725ES	R507094	C4725		R700025
Meritor Production	4725	MA212	XSMA212 4725ES	XK212 4725E	R507094	C4725		R700025
	4725	MA312	XSMA312 4725ES	XK312 4725E	R507094	C4725		R700025

16-1/2" x 6" Eaton High Mount



LINING TYPE	FMSI NO.	MERITOR FRICTION MIX	NEW LINED BRAKE SHOE NUMBER	NEW LINED BRAKE SHOE KIT NUMBER	MINOR HARDWARE KIT NUMBER	EXCHANGE SHOE CORE NO.	NEW SHOE NUMBER	
							MERITOR PRODUCTION	MERITOR AFTER-MARKET
Meritor Production	4317G	MA212	XSMA212 4317EH	XK212 4317EH	R507077	C4317H		R700023

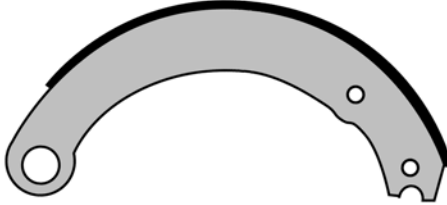
16-1/2" x 6" Eaton Low Mount



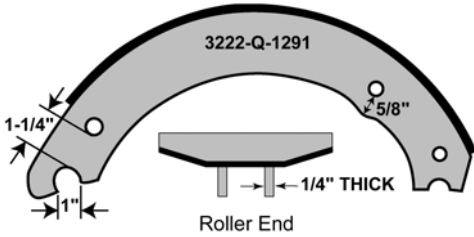
LINING TYPE	FMSI NO.	MERITOR FRICTION MIX	NEW LINED BRAKE SHOE NUMBER	NEW LINED BRAKE SHOE KIT NUMBER	MINOR HARDWARE KIT NUMBER	EXCHANGE SHOE CORE NO.	NEW SHOE NUMBER	
							MERITOR PRODUCTION	MERITOR AFTER-MARKET
Fras-Le Aftermarket	4317G	AF555-1	XS555 4317E	XK555 4317E	MKT 4311EHD	C4317		R700023
	4317G	AF557	XS557 4317E	XK557 4317E	MKT 4311EHD	C4317		R700023
Meritor Production	4317G	MA212	XSMA212 4317E	XK212 4317E	MKT 4311EHD	C4317		R700023
	4317G	MA312	XSMA312 4317E	XK312 4317E	MKT 4311EHD	C4317		R700023

REMANUFACTURED BRAKE SHOES & BRAKE SHOE KITS

16-1/2" x 6" Meritor P

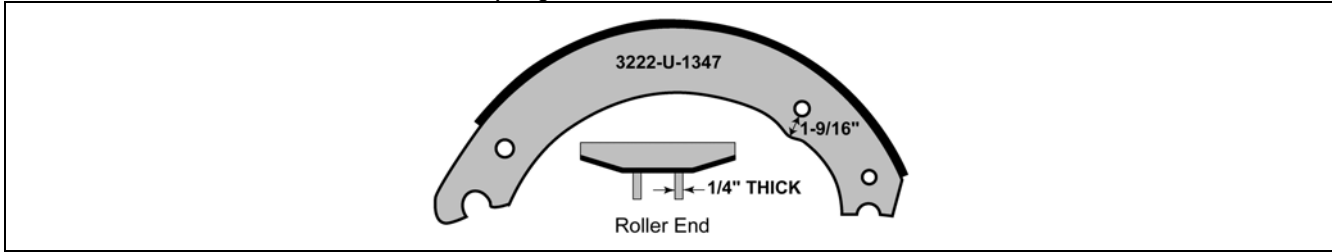
								
LINING TYPE	FMSI NO.	MERITOR FRICTION MIX	NEW LINED BRAKE SHOE NUMBER	NEW LINED BRAKE SHOE KIT NUMBER	MINOR HARDWARE KIT NUMBER	EXCHANGE SHOE CORE NO.	NEW SHOE NUMBER	
							MERITOR PRODUCTION	MERITOR AFTER-MARKET
Meritor Production	4514G	MA212	XSMA212 4514P	XK212 4514P	KIT 9000	C4514P	A3222-X-1142	
	4514G	R301	XSR301 4514P	XK301 4514P	KIT 9000	C4514P	A3222-X-1142	

16-1/2" x 6" Meritor Q

								
LINING TYPE	FMSI NO.	MERITOR FRICTION MIX	NEW LINED BRAKE SHOE NUMBER	NEW LINED BRAKE SHOE KIT NUMBER	MINOR HARDWARE KIT NUMBER	EXCHANGE SHOE CORE NO.	NEW SHOE NUMBER	
							MERITOR PRODUCTION	MERITOR AFTER-MARKET
Fras-Le Aftermarket	4514G	AF550-1	XS550 4514Q	XK550 4514Q	MKT 4515Q	C4514Q	A3222-C-1381	
	4514G	AF557	XS557 4514Q	XK557 4514Q	MKT 4515Q	C4514Q	A3222-C-1381	
Meritor Production	4514G	MA212	XSMA212 4514Q	XK212 4514Q	KIT 8000	C4514Q	A3222-C-1381	
	4514G	MA310	XSMA310 4514Q	XK310 4514Q	KIT 8000	C4514Q	A3222-C-1381	
	4514G	MA312	XSMA312 4514Q	XK312 4514Q	KIT 8000	C4514Q	A3222-C-1381	
	4514G	R301	XSR301 4514Q	XK301 4514Q	KIT 8000	C4514Q	A3222-C-1381	
	4514G	R403	XSR403 4514Q	XK403 4514Q	KIT 8000	C4514Q	A3222-C-1381	

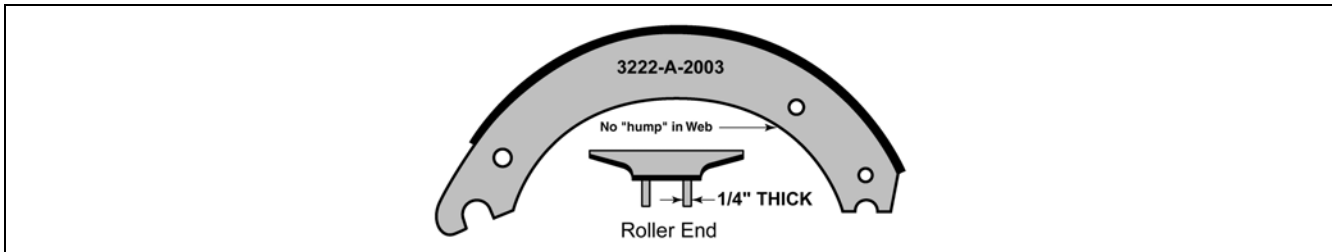
REMANUFACTURED BRAKE SHOES & BRAKE SHOE KITS

16-1/2" x 6" Meritor Q with Relocated Return Spring Hole



LINING TYPE	FMSI NO.	MERITOR FRICTION MIX	NEW LINED BRAKE SHOE NUMBER	NEW LINED BRAKE SHOE KIT NUMBER	MINOR HARDWARE KIT NUMBER	EXCHANGE SHOE CORE NO.	NEW SHOE NUMBER	
							MERITOR PRODUCTION	MERITOR AFTER-MARKET
Fras-Le Aftermarket	4514G	AF557	XS557 4514QR	XK557 4514QR	KIT 8081	C4514QR	A3222-V-1348	
Meritor Production	4514G	MA212	XSMA212 4514QR	XK212 4514QR	KIT 8081	C4514QR	A3222-V-1348	
	4514G	MA310	XSMA310 4514QR	XK310 4514QR	KIT 8081	C4514QR	A3222-V-1348	
	4514G	R301	XSR301 4514QR	XK301 4514QR	KIT 8081	C4514QR	A3222-V-1348	
	4514G	R403	XSR403 4514QR	XK403 4514QR	KIT 8081	C4514QR	A3222-V-1348	

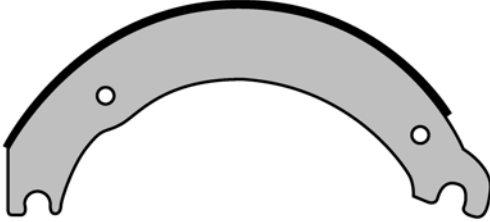
16-1/2" x 6" Meritor Q Plus



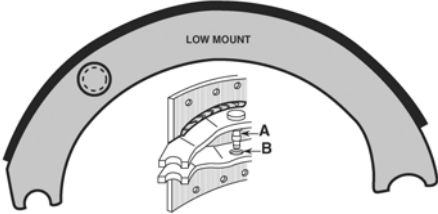
LINING TYPE	FMSI NO.	MERITOR FRICTION MIX	NEW LINED BRAKE SHOE NUMBER	NEW LINED BRAKE SHOE KIT NUMBER	MINOR HARDWARE KIT NUMBER	EXCHANGE SHOE CORE NO.	NEW SHOE NUMBER	
							MERITOR PRODUCTION	MERITOR AFTER-MARKET
Fras-Le Aftermarket	4715	AF555-1	XS555 4715QP	XK555 4715QP	R508053	C4715QP	A3222-P-2200	
	4715	AF557	XS557 4715QP	XK557 4715QP	R508053	C4715QP	A3222-P-2200	
Meritor Production	4715	MA212	XSMA212 4715QP	XK212 4715QP	KIT 8081	C4715QP	A3222-P-2200	
	4715	MA310	XSMA310 4715QP	XK310 4715QP	KIT 8081	C4715QP	A3222-P-2200	
	4715	MA312	XSMA312 4715QP	XK312 4715QP	KIT 8081	C4715QP	A3222-P-2200	
	4715	R301	XSR301 4715QP	XK301 4715QP	KIT 8081	C4715QP	A3222-P-2200	
	4715	R403	XSR403 4715QP	XK403 4715QP	KIT 8081	C4715QP	A3222-P-2200	

REMANUFACTURED BRAKE SHOES & BRAKE SHOE KITS

16-1/2" x 7" Bendix

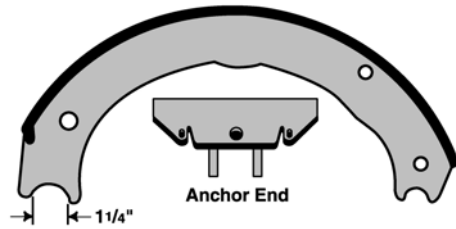
								
LINING TYPE	FMSI NO.	MERITOR FRICTION MIX	NEW LINED BRAKE SHOE NUMBER	NEW LINED BRAKE SHOE KIT NUMBER	MINOR HARDWARE KIT NUMBER	EXCHANGE SHOE CORE NO.	NEW SHOE NUMBER	
							MERITOR PRODUCTION	MERITOR AFTER-MARKET
Meritor Production	4515E	MA212	XSMA212 4515B	XK212 4515B	R507082	C4515B		R700014
	4515E	R301	XSR301 4515B	XK301 4515B	R507082	C4515B		R700014

16-1/2" x 7" Eaton

								
LINING TYPE	FMSI NO.	MERITOR FRICTION MIX	NEW LINED BRAKE SHOE NUMBER	NEW LINED BRAKE SHOE KIT NUMBER	MINOR HARDWARE KIT NUMBER	EXCHANGE SHOE CORE NO.	NEW SHOE NUMBER	
							MERITOR PRODUCTION	MERITOR AFTER-MARKET
Fras-Le Aftermarket	4311J	AF520	XS520 4311E	XK520 4311E	MKT 4311EHD	C4311		R4311
	4311J	AF540-1	XS540 4311E	XK540 4311E	MKT 4311EHD	C4311		R4311
	4311J	AF550-1	XS550 4311E	XK550 4311E	MKT 4311EHD	C4311		R4311
	4311J	AF555-1	XS555 4311E	XK555 4311E	MKT 4311EHD	C4311		R4311
	4311J	AF557	XS557 4311E	XK557 4311E	MKT 4311EHD	C4311		R4311
Meritor Production	4311J	MA210	XSMA210 4311E	XK210 4311E	MKT 4311EHD	C4311		R4311
	4311J	MA212	XSMA212 4311E	XK212 4311E	MKT 4311EHD	C4311		R4311
	4311J	MA310	XSMA310 4311E	XK310 4311E	MKT 4311EHD	C4311		R4311
	4311J	MA312	XSMA312 4311E	XK312 4311E	MKT 4311EHD	C4311		R4311
	4311J	R301	XSR301 4311E	XK301 4311E	MKT 4311EHD	C4311		R4311

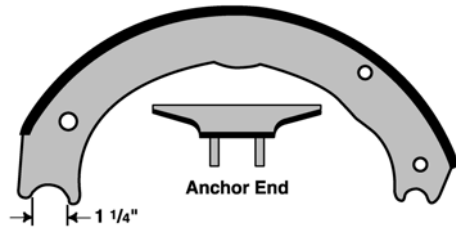
REMANUFACTURED BRAKE SHOES & BRAKE SHOE KITS

16-1/2" x 7" Eaton ES I



LINING TYPE	FMSI NO.	MERITOR FRICTION MIX	NEW LINED BRAKE SHOE NUMBER	NEW LINED BRAKE SHOE KIT NUMBER	MINOR HARDWARE KIT NUMBER	EXCHANGE SHOE CORE NO.	NEW SHOE NUMBER	
							MERITOR PRODUCTION	MERITOR AFTER-MARKET
Fras-Le Aftermarket	4709	AF520	XS520 4709E1	XK520 4709E1	MKT 4709ES	C4709		R4709
	4709	AF540-1	XS540 4709E1	XK540 4709E1	MKT 4709ES	C4709		R4709
	4709	AF550-1	XS550 4709E1	XK550 4709E1	MKT 4709ES	C4709		R4709
	4709	AF555-1	XS555 4709E1	XK555 4709E1	MKT 4709ES	C4709		R4709
	4709	AF557	XS557 4709E1	XK557 4709E1	MKT 4709ES	C4709		R4709
Meritor Production	4709	AF560/555-1	XSCOM 4709E1	XKCOM 4709E1	MKT 4709ES	C4709		R4709
	4709	MA210	XSMA210 4709E1	XK210 4709E1	MKT 4709ES	C4709		R4709
	4709	MA212	XSMA212 4709E1	XK212 4709E1	MKT 4709ES	C4709		R4709
	4709	MA310	XSMA310 4709E1	XK310 4709E1	MKT 4709ES	C4709		R4709
	4709	MA312	XSMA312 4709E1	XK312 4709E1	MKT 4709ES	C4709		R4709
4709	R301	XSR301 4709E1	XK301 4709E1	MKT 4709ES	C4709		R4709	

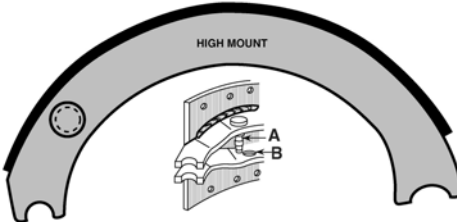
16-1/2" x 7" Eaton ES II



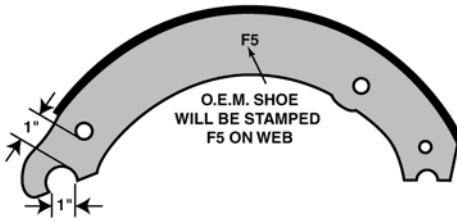
LINING TYPE	FMSI NO.	MERITOR FRICTION MIX	NEW LINED BRAKE SHOE NUMBER	NEW LINED BRAKE SHOE KIT NUMBER	MINOR HARDWARE KIT NUMBER	EXCHANGE SHOE CORE NO.	NEW SHOE NUMBER	
							MERITOR PRODUCTION	MERITOR AFTER-MARKET
Fras-Le Aftermarket	4709	AF520	XS520 4709E2	XK520 4709E2	MKT 4709ES2	C4709G2		R4709G2
	4709	AF540-1	XS540 4709E2	XK540 4709E2	MKT 4709ES2	C4709G2		R4709G2
	4709	AF550-1	XS550 4709E2	XK550 4709E2	MKT 4709ES2	C4709G2		R4709G2
	4709	AF555-1	XS555 4709E2	XK555 4709E2	MKT 4709ES2	C4709G2		R4709G2
	4709	AF557	XS557 4709E2	XK557 4709E2	MKT 4709ES2	C4709G2		R4709G2
Meritor Production	4709	AF560/555-1	XSCOM 4709E2	XKCOM 4709E2	MKT 4709ES2	C4709G2		R4709G2
	4709	MA210	XSMA210 4709E2	XK210 4709E2	MKT 4709ES2	C4709G2		R4709G2
	4709	MA212	XSMA212 4709E2	XK212 4709E2	MKT 4709ES2	C4709G2		R4709G2
	4709	MA310	XSMA310 4709E2	XK310 4709E2	MKT 4709ES2	C4709G2		R4709G2
	4709	MA312	XSMA312 4709E2	XK312 4709E2	MKT 4709ES2	C4709G2		R4709G2
4709	R301	XSR301 4709E2	XK301 4709E2	MKT 4709ES2	C4709G2		R4709G2	

REMANUFACTURED BRAKE SHOES & BRAKE SHOE KITS

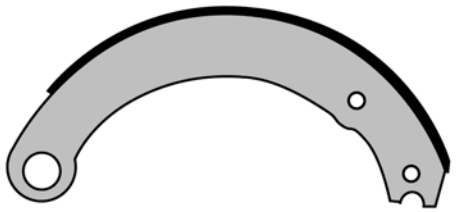
16-1/2" x 7" Eaton High Mount

								
LINING TYPE	FMSI NO.	MERITOR FRICTION MIX	NEW LINED BRAKE SHOE NUMBER	NEW LINED BRAKE SHOE KIT NUMBER	MINOR HARDWARE KIT NUMBER	EXCHANGE SHOE CORE NO.	NEW SHOE NUMBER	
							MERITOR PRODUCTION	MERITOR AFTER-MARKET
Meritor Production	4311J	MA210	XSMA210 4311EH	XK210 4311EH	R507077	C4311H		R700010
	4311J	MA212	XSMA212 4311EH	XK212 4311EH	R507077	C4311H		R700010
	4311J	MA310	XSMA310 4311EH	XK310 4311EH	R507077	C4311H		R700010
	4311J	R301	XSR301 4311EH	XK301 4311EH	R507077	C4311H		R700010

16-1/2" x 7" Fruehauf F5

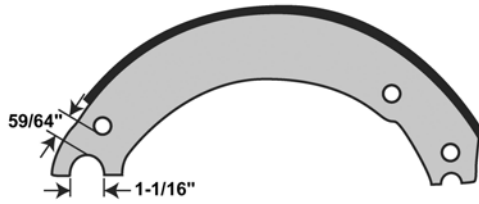
								
LINING TYPE	FMSI NO.	MERITOR FRICTION MIX	NEW LINED BRAKE SHOE NUMBER	NEW LINED BRAKE SHOE KIT NUMBER	MINOR HARDWARE KIT NUMBER	EXCHANGE SHOE CORE NO.	NEW SHOE NUMBER	
							MERITOR PRODUCTION	MERITOR AFTER-MARKET
Fras-Le Aftermarket	4515E	AF557	XS557 4515MF	XK557 4515MF	MKT 4515Q	C4515F5		R4515F5
Meritor Production	4515G	MA212	XSMA212 4515MF	XK212 4515MF	KIT 8000	C4515F5		R4515F5
	4515G	R301	XSR301 4515MF	XK301 4515MF	KIT 8000	C4515F5		R4515F5

16-1/2" x 7" Fruehauf P

								
LINING TYPE	FMSI NO.	MERITOR FRICTION MIX	NEW LINED BRAKE SHOE NUMBER	NEW LINED BRAKE SHOE KIT NUMBER	MINOR HARDWARE KIT NUMBER	EXCHANGE SHOE CORE NO.	NEW SHOE NUMBER	
							MERITOR PRODUCTION	MERITOR AFTER-MARKET
Meritor Production	4515E	MA212	XSMA212 4515F		R507011	C4515F		

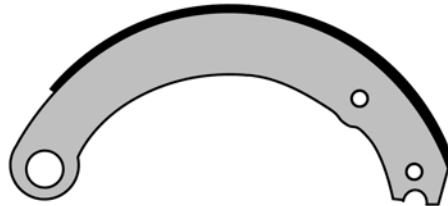
REMANUFACTURED BRAKE SHOES & BRAKE SHOE KITS

16-1/2" x 7" Fruehauf XEM3



LINING TYPE	FMSI NO.	MERITOR FRICTION MIX	NEW LINED BRAKE SHOE NUMBER	NEW LINED BRAKE SHOE KIT NUMBER	MINOR HARDWARE KIT NUMBER	EXCHANGE SHOE CORE NO.	NEW SHOE NUMBER	
							MERITOR PRODUCTION	MERITOR AFTER-MARKET
Fras-Le Aftermarket	4515E	AF520	XS520 4515F3	XK520 4515F3	MKT 4515X	C4515F3		R4515F3
	4515E	AF540-1	XS540 4515F3	XK540 4515F3	MKT 4515X	C4515F3		R4515F3
	4515E	AF550-1	XS550 4515F3	XK550 4515F3	MKT 4515X	C4515F3		R4515F3
	4515E	AF555-1	XS555 4515F3	XK555 4515F3	MKT 4515X	C4515F3		R4515F3
	4515E	AF557	XS557 4515F3	XK557 4515F3	MKT 4515X	C4515F3		R4515F3
	4515E	AF560/555-1	XSCOM 4515F3	XKCOM 4515F3	MKT 4515X	C4515F3		R4515F3
Meritor Production	4515G	MA210	XSMA210 4515F3	XK210 4515F3 XK210 4515F3HD	MKT 4515X MKT 4515XHD	C4515F3		R4515F3
	4515G	MA212	XSMA212 4515F3	XK212 4515F3 XK212 4515F3HD	MKT 4515X MKT 4515XHD	C4515F3		R4515F3
	4515G	MA310	XSMA310 4515F3	XK310 4515F3 XK310 4515F3HD	MKT 4515X MKT 4515XHD	C4515F3		R4515F3
	4515G	MA312	XSMA312 4515F3	XK312 4515F3 XK312 4515F3HD	MKT 4515X MKT 4515XHD	C4515F3		R4515F3
	4515G	R301	XSR301 4515F3	XK301 4515F3 XK301 4515F3HD	MKT 4515X MKT 4515XHD	C4515F3		R4515F3

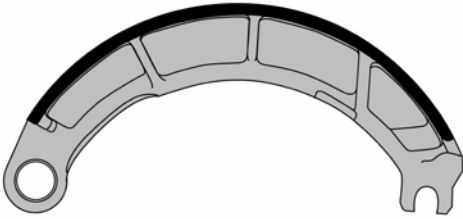
16-1/2" x 7" Meritor P



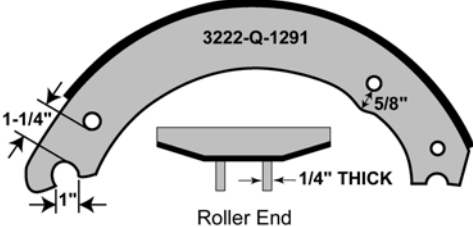
LINING TYPE	FMSI NO.	MERITOR FRICTION MIX	NEW LINED BRAKE SHOE NUMBER	NEW LINED BRAKE SHOE KIT NUMBER	MINOR HARDWARE KIT NUMBER	EXCHANGE SHOE CORE NO.	NEW SHOE NUMBER	
							MERITOR PRODUCTION	MERITOR AFTER-MARKET
Fras-Le Aftermarket	4515E	AF520	XS520 4515P	XK520 4515P	MKT 4515P	C4515P	A3722-N-66	R4515P
	4515E	AF540-1	XS540 4515P	XK540 4515P	MKT 4515P	C4515P	A3722-N-66	R4515P
	4515E	AF550-1	XS550 4515P	XK550 4515P	MKT 4515P	C4515P	A3722-N-66	R4515P
	4515E	AF557	XS557 4515P	XK557 4515P	MKT 4515P	C4515P	A3722-N-66	R4515P
Meritor Production	4515G	MA210	XSMA210 4515P	XK210 4515P	KIT 9000	C4515P	A3722-N-66	R4515P
	4515G	MA212	XSMA212 4515P	XK212 4515P	KIT 9000	C4515P	A3722-N-66	R4515P
	4515G	MA310	XSMA310 4515P	XK310 4515P	KIT 9000	C4515P	A3722-N-66	R4515P
	4515G	MA312	XSMA312 4515P	XK312 4515P	KIT 9000	C4515P	A3722-N-66	R4515P
	4515G	R301	XSR301 4515P	XK301 4515P	KIT 9000	C4515P	A3722-N-66	R4515P

REMANUFACTURED BRAKE SHOES & BRAKE SHOE KITS

16-1/2" x 7" Meritor P Cast

								
LINING TYPE	FMSI NO.	MERITOR FRICTION MIX	NEW LINED BRAKE SHOE NUMBER	NEW LINED BRAKE SHOE KIT NUMBER	MINOR HARDWARE KIT NUMBER	EXCHANGE SHOE CORE NO.	NEW SHOE NUMBER	
							MERITOR PRODUCTION	MERITOR AFTER-MARKET
Meritor Production	4515	R403	XSR403 4515PC	XK403 4515PC	KIT 9081		A3222-D-1954	

16-1/2" x 7" Meritor Q

								
LINING TYPE	FMSI NO.	MERITOR FRICTION MIX	NEW LINED BRAKE SHOE NUMBER	NEW LINED BRAKE SHOE KIT NUMBER	MINOR HARDWARE KIT NUMBER	EXCHANGE SHOE CORE NO.	NEW SHOE NUMBER	
							MERITOR PRODUCTION	MERITOR AFTER-MARKET
Fras-Le Aftermarket	4515E	AF520	XS520 4515Q	XK520 4515Q	MKT 4515Q	C4515Q		R4515
	4515E	AF540-1	XS540 4515Q	XK540 4515Q	MKT 4515Q	C4515Q		R4515
	4515E	AF550-1	XS550 4515Q	XK550 4515Q	MKT 4515Q	C4515Q		R4515
	4515E	AF555-1	XS555 4515Q	XK555 4515Q	MKT 4515Q	C4515Q		R4515
	4515E	AF557	XS557 4515Q	XK557 4515Q	MKT 4515Q	C4515Q		R4515
	4515E	AF560	XS560 4515Q	XK560 4515Q	MKT 4515Q	C4515Q		R4515
	4515E	AF560/555-1	XSCOM 4515Q	XKCOM 4515Q	MKT 4515Q	C4515Q		R4515
Meritor Production	4515G	MA210	XSMA210 4515Q	XK210 4515Q XK210 4515QHD	KIT 8000 KIT 8000HD	C4515Q	A91-3222-S-1293	R4515
	4515G	MA212	XSMA212 4515Q	XK212 4515Q XK212 4515QHD XK212 4515QHDMB	KIT 8000 KIT 8000HD KIT 8000MBHD	C4515Q	A91-3222-S-1293	R4515
	4515G	MA310	XSMA310 4515Q	XK310 4515Q XK310 4515QHD	KIT 8000 KIT 8000HD	C4515Q	A91-3222-S-1293	R4515
	4515G	MA312	XSMA312 4515Q	XK312 4515Q XK312 4515QHD XK312 4515QHDMB	KIT 8000 KIT 8000HD KIT 8000MBHD	C4515Q	A91-3222-S-1293	R4515
	4515G	R301	XSR301 4515Q	XK301 4515Q XK301 4515QHD XK301 4515QHDMB	KIT 8000 KIT 8000HD KIT 8000MBHD	C4515Q	A91-3222-S-1293	R4515
	4515G	R403	XSR403 4515Q	XK403 4515Q XK403 4515QHD	KIT 8000 KIT 8000HD	C4515Q	A91-3222-S-1293	R4515

REMANUFACTURED BRAKE SHOES & BRAKE SHOE KITS

16-1/2" x 7" Meritor Q Heavy Duty

<p style="text-align: center;">3222-Q-1733</p> <p style="text-align: center;">← 3/8" THICK</p> <p style="text-align: center;">Roller End</p>								
LINING TYPE	FMSI NO.	MERITOR FRICTION MIX	NEW LINED BRAKE SHOE NUMBER	NEW LINED BRAKE SHOE KIT NUMBER	MINOR HARDWARE KIT NUMBER	EXCHANGE SHOE CORE NO.	NEW SHOE NUMBER	
							MERITOR PRODUCTION	MERITOR AFTER-MARKET
Meritor Production	4515H	R403	XSR403 4515QM	XK403 4515M	KIT 8026HD	C4515H	A3222-S-1735	

16-1/2" x 7" Meritor Q Plus

<p style="text-align: center;">3222-A-2003</p> <p style="text-align: center;">No "hump" in Web</p> <p style="text-align: center;">← 1/4" THICK</p> <p style="text-align: center;">Roller End</p>								
LINING TYPE	FMSI NO.	MERITOR FRICTION MIX	NEW LINED BRAKE SHOE NUMBER	NEW LINED BRAKE SHOE KIT NUMBER	MINOR HARDWARE KIT NUMBER	EXCHANGE SHOE CORE NO.	NEW SHOE NUMBER	
							MERITOR PRODUCTION	MERITOR AFTER-MARKET
Fras-Le Aftermarket	4707	AF520	XS520 4707QP	XK520 4707QP	MKT 4515QHD	C4707QP		R4707
	4707	AF540-1	XS540 4707QP	XK540 4707QP	MKT 4515QHD	C4707QP		R4707
	4707	AF550-1	XS550 4707QP	XK550 4707QP	MKT 4515QHD	C4707QP		R4707
	4707	AF555-1	XS555 4707QP	XK555 4707QP	MKT 4515QHD	C4707QP		R4707
	4707	AF557	XS557 4707QP	XK557 4707QP	MKT 4515QHD	C4707QP		R4707
	4707	AF560/555-1	XSCOM 4707QP	XKCOM 4707QP	MKT 4515QHD	C4707QP		R4707
Meritor Production	4707	MA210	XSMA210 4707QP	XK210 4707QP	KIT 8000HD	C4707QP	A19-3222-D-2006	R4707
	4707	MA212	XSMA212 4707QP	XK212 4707QP XK212 4707QPMB	KIT 8000HD KIT 8000MBHD	C4707QP	A19-3222-D-2006	R4707
	4707	MA310	XSMA310 4707QP	XK310 4707QP	KIT 8000HD	C4707QP	A19-3222-D-2006	R4707
	4707	MA312	XSMA312 4707QP	XK312 4707QP XK312 4707QPMB	KIT 8000HD KIT 8000MBHD	C4707QP	A19-3222-D-2006	R4707
	4707	R301	XSR301 4707QP	XK301 4707QP	KIT 8000HD	C4707QP	A19-3222-D-2006	R4707
	4707	R403	XSR403 4707QP	XK403 4707QP	KIT 8000HD	C4707QP	A19-3222-D-2006	R4707

REMANUFACTURED BRAKE SHOES & BRAKE SHOE KITS

16-1/2" x 7" Meritor Q Plus Heavy Duty

LINING TYPE	FMSI NO.	MERITOR FRICTION MIX	NEW LINED BRAKE SHOE NUMBER	NEW LINED BRAKE SHOE KIT NUMBER	MINOR HARDWARE KIT NUMBER	EXCHANGE SHOE CORE NO.	NEW SHOE NUMBER	
							MERITOR PRODUCTION	MERITOR AFTER-MARKET
Meritor Production	4707	MA310	XSMA310 4707QPM	XK310 4707QPM	KIT 8844HD	C4707QPM	A3222-X-2208	
	4707	R301	XSR301 4707QPM	XK301 4707QPM	KIT 8844HD	C4707QPM	A3222-X-2208	
	4707	R403	XSR403 4707QPM	XK403 4707QPM	KIT 8844HD	C4707QPM	A3222-X-2208	

16-1/2" x 7" Spicer XL

LINING TYPE	FMSI NO.	MERITOR FRICTION MIX	NEW LINED BRAKE SHOE NUMBER	NEW LINED BRAKE SHOE KIT NUMBER	MINOR HARDWARE KIT NUMBER	EXCHANGE SHOE CORE NO.	NEW SHOE NUMBER	
							MERITOR PRODUCTION	MERITOR AFTER-MARKET
Fras-Le Aftermarket	4701	AF555-1	XS555 4701D	XK555 4701D	MKT 4515Q	C4701		R4701
Meritor Production	4701	MA212	XSMA212 4701D ⁷	XK212 4701D	R507063	C4701		R4701
	4515G	MA212	XSMA212 4701STD ⁸	XK212 4701STD	MKT 4515Q	C4701		R4701
	4701	MA312	XSMA312 4701D	XK312 4701D	R507063	C4701		R4701

16-1/2" x 8" Meritor Q

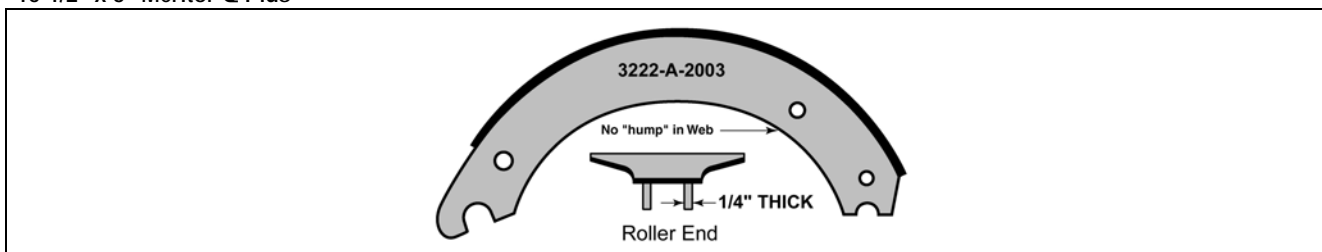
LINING TYPE	FMSI NO.	MERITOR FRICTION MIX	NEW LINED BRAKE SHOE NUMBER	NEW LINED BRAKE SHOE KIT NUMBER	MINOR HARDWARE KIT NUMBER	EXCHANGE SHOE CORE NO.	NEW SHOE NUMBER	
							MERITOR PRODUCTION	MERITOR AFTER-MARKET
Meritor Production	4644B	MA212	XSMA212 4644Q		KIT 8000HD	C4644	A3222-B-1510	

⁷ Spicer 4701 core lined with Spicer "XL" lining.

⁸ Spicer 4701 core lined with standard 4515 lining.

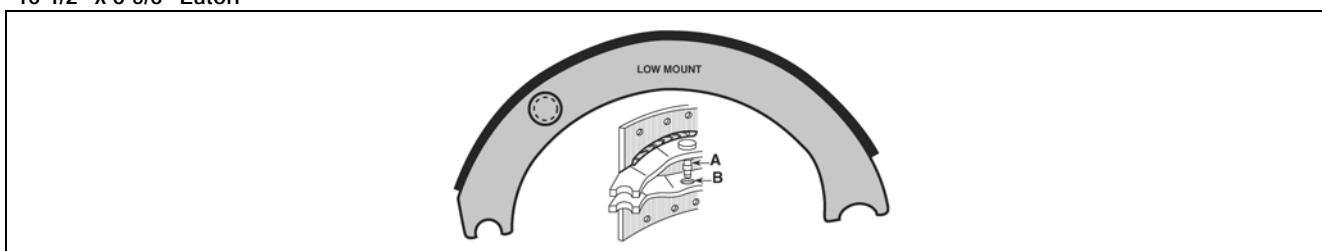
REMANUFACTURED BRAKE SHOES & BRAKE SHOE KITS

16-1/2" x 8" Meritor Q Plus



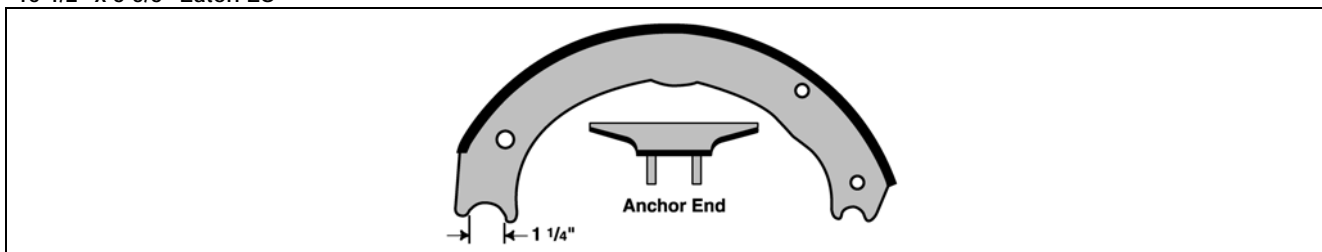
LINING TYPE	FMSI NO.	MERITOR FRICTION MIX	NEW LINED BRAKE SHOE NUMBER	NEW LINED BRAKE SHOE KIT NUMBER	MINOR HARDWARE KIT NUMBER	EXCHANGE SHOE CORE NO.	NEW SHOE NUMBER	
							MERITOR PRODUCTION	MERITOR AFTER-MARKET
Meritor Production	4718	MA210	XSMA210 4718QP	XK210 4718QP	KIT 8000HD	C4718QP	A3222-J-2272	
	4718	MA212	XSMA212 4718QP	XK212 4718QP	KIT 8000HD	C4718QP	A3222-J-2272	
	4718	MA310	XSMA310 4718QP	XK310 4718QP	KIT 8000HD	C4718QP	A3222-J-2272	
	4718	MA312	XSMA312 4718QP	XK312 4718QP	KIT 8000HD	C4718QP	A3222-J-2272	
	4718	R301	XSR301 4718QP	XK301 4718QP	KIT 8000HD	C4718QP	A3222-J-2272	

16-1/2" x 8-5/8" Eaton



LINING TYPE	FMSI NO.	MERITOR FRICTION MIX	NEW LINED BRAKE SHOE NUMBER	NEW LINED BRAKE SHOE KIT NUMBER	MINOR HARDWARE KIT NUMBER	EXCHANGE SHOE CORE NO.	NEW SHOE NUMBER	
							MERITOR PRODUCTION	MERITOR AFTER-MARKET
Meritor Production	4674	MA212	XSMA212 4674E	XK212 4674E	MKT 4311EHD	C4674		R700021

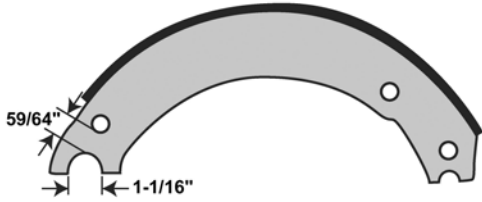
16-1/2" x 8-5/8" Eaton ES



LINING TYPE	FMSI NO.	MERITOR FRICTION MIX	NEW LINED BRAKE SHOE NUMBER	NEW LINED BRAKE SHOE KIT NUMBER	MINOR HARDWARE KIT NUMBER	EXCHANGE SHOE CORE NO.	NEW SHOE NUMBER	
							MERITOR PRODUCTION	MERITOR AFTER-MARKET
Meritor Production	4726ES	MA212	XSMA212 4726ES	XK212 4726E	MKT 4709ES2	C4726		R700026
	4726ES	MA312	XSMA312 4726ES	XK312 4726E	MKT 4709ES2	C4726		R700026

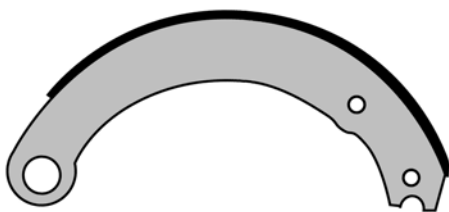
REMANUFACTURED BRAKE SHOES & BRAKE SHOE KITS

16-1/2" x 8-5/8" Fruehauf XEM3 Offset



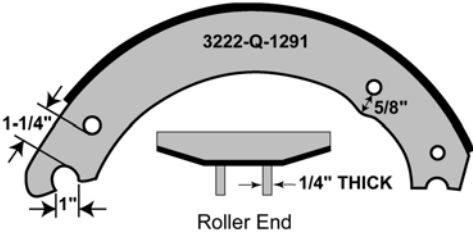
LINING TYPE	FMSI NO.	MERITOR FRICTION MIX	NEW LINED BRAKE SHOE NUMBER	NEW LINED BRAKE SHOE KIT NUMBER	MINOR HARDWARE KIT NUMBER	EXCHANGE SHOE CORE NO.	NEW SHOE NUMBER	
							MERITOR PRODUCTION	MERITOR AFTER-MARKET
Meritor Production	4551B	MA212	XSMA212 4551F3L	XK212 4551F3	MKT 4515XHD	C4551F3L		R704552
	4551B	MA212	XSMA212 4551F3R	XK212 4551F3	MKT 4515XHD	C4551F3R		R704551
	4551B	R301	XSR301 4551F3R	XK301 4551F3	MKT 4515XHD	C4551F3R		R704551
	4551B	R301	XSR301 4551F3L	XK301 4551F3	MKT 4515XHD	C4551F3L		R704552

16-1/2" x 8-5/8" Meritor P



LINING TYPE	FMSI NO.	MERITOR FRICTION MIX	NEW LINED BRAKE SHOE NUMBER	NEW LINED BRAKE SHOE KIT NUMBER	MINOR HARDWARE KIT NUMBER	EXCHANGE SHOE CORE NO.	NEW SHOE NUMBER	
							MERITOR PRODUCTION	MERITOR AFTER-MARKET
Meritor Production	4551B	MA212	XSMA212 4551P	XK212 4551P	KIT 9001	C4551P	A3222-L-1572	
	4551B	R301	XSR301 4551P	XK301 4551P	KIT 9001	C4551P	A3222-L-1572	

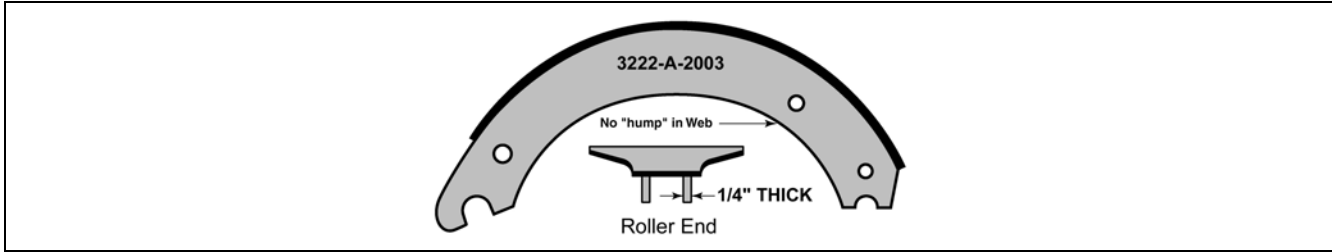
16-1/2" x 8-5/8" Meritor Q



LINING TYPE	FMSI NO.	MERITOR FRICTION MIX	NEW LINED BRAKE SHOE NUMBER	NEW LINED BRAKE SHOE KIT NUMBER	MINOR HARDWARE KIT NUMBER	EXCHANGE SHOE CORE NO.	NEW SHOE NUMBER	
							MERITOR PRODUCTION	MERITOR AFTER-MARKET
Fras-Le Aftermarket	4551B	AF550-1	XS550 4551Q	XK550 4551Q	MKT 4515QHD	C4551Q	A3222-T-1346	
	4551B	AF555-1	XS555 4551Q	XK555 4551Q	MKT 4515QHD	C4551Q	A3222-T-1346	
	4551B	AF557	XS557 4551Q	XK557 4551Q	MKT 4515QHD	C4551Q	A3222-T-1346	
Meritor Production	4551B	MA210	XSMA210 4551Q	XK210 4551Q	KIT 8000HD	C4551Q	A3222-T-1346	
	4551B	MA212	XSMA212 4551Q	XK212 4551Q	KIT 8000HD	C4551Q	A3222-T-1346	
	4551B	MA310	XSMA310 4551Q	XK310 4551Q	KIT 8000HD	C4551Q	A3222-T-1346	
	4551B	MA312	XSMA312 4551Q	XK312 4551Q	KIT 8000HD	C4551Q	A3222-T-1346	
	4551B	R301	XSR301 4551Q	XK301 4551Q	KIT 8000HD	C4551Q	A3222-T-1346	

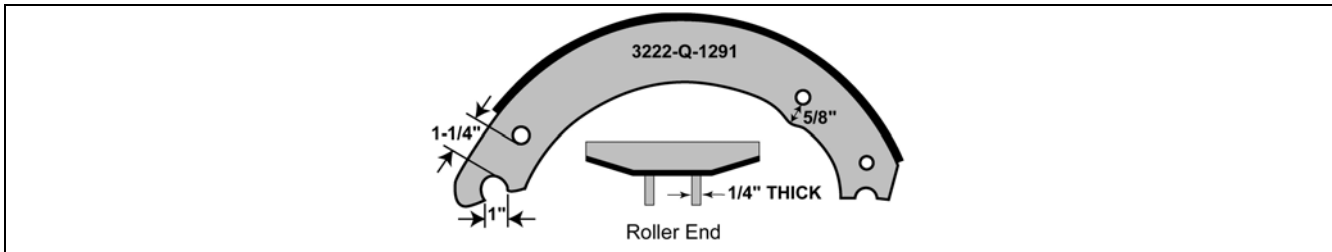
REMANUFACTURED BRAKE SHOES & BRAKE SHOE KITS

16-1/2" x 8-5/8" Meritor Q Plus



LINING TYPE	FMSI NO.	MERITOR FRICTION MIX	NEW LINED BRAKE SHOE NUMBER	NEW LINED BRAKE SHOE KIT NUMBER	MINOR HARDWARE KIT NUMBER	EXCHANGE SHOE CORE NO.	NEW SHOE NUMBER	
							MERITOR PRODUCTION	MERITOR AFTER-MARKET
Fras-Le Aftermarket	4711	AF557	XS557 4711QP	XK557 4711QP	KIT 8000HD	C4711QP	A3222-K-2169	
Meritor Production	4711	MA212	XSMA212 4711QP	XK212 4711QP	KIT 8000HD	C4711QP	A3222-K-2169	
	4711	MA312	XSMA312 4711QP	XK312 4711QP	KIT 8000HD	C4711QP	A3222-K-2169	
	4711	R301	XSR301 4711QP	XK301 4711QP	KIT 8000HD	C4711QP	A3222-K-2169	
	4711	R403	XSR403 4711QP	XK403 4711QP	KIT 8000HD	C4711QP	A3222-K-2169	

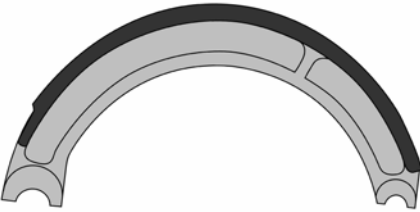
16-1/2" x 10" Meritor Q



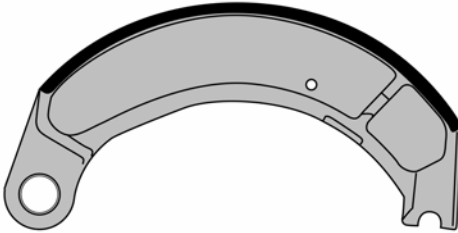
LINING TYPE	FMSI NO.	MERITOR FRICTION MIX	NEW LINED BRAKE SHOE NUMBER	NEW LINED BRAKE SHOE KIT NUMBER	MINOR HARDWARE KIT NUMBER	EXCHANGE SHOE CORE NO.	NEW SHOE NUMBER	
							MERITOR PRODUCTION	MERITOR AFTER-MARKET
Meritor Production	4552Q	MA212	XSMA212 4552Q	XK212 4552Q	KIT 8000HD	C4552Q	A3222-D-1356	

REMANUFACTURED BRAKE SHOES & BRAKE SHOE KITS

18" x 7" Eaton Cast

								
LINING TYPE	FMSI NO.	MERITOR FRICTION MIX	NEW LINED BRAKE SHOE NUMBER	NEW LINED BRAKE SHOE KIT NUMBER	MINOR HARDWARE KIT NUMBER	EXCHANGE SHOE CORE NO.	NEW SHOE NUMBER	
							MERITOR PRODUCTION	MERITOR AFTER-MARKET
Fras-Le	4527B	AF557	XS557 4527EC		R507072			R700009
Aftermarket	4527B	AF560/555-1	XSCOM 4527EC		R507072			R700009
Meritor Production	4527B	R403	XSR403 4527EC		R507072			R700009

18" x 7" Meritor P Cast

								
LINING TYPE	FMSI NO.	MERITOR FRICTION MIX	NEW LINED BRAKE SHOE NUMBER	NEW LINED BRAKE SHOE KIT NUMBER	MINOR HARDWARE KIT NUMBER	EXCHANGE SHOE CORE NO.	NEW SHOE NUMBER	
							MERITOR PRODUCTION	MERITOR AFTER-MARKET
Meritor	4625B	MA312	XSMA312 4471RC		KIT 9179		A1-3222-B-1952	
Production	4625B	R301	XSR301 4471RC		KIT 9179		A1-3222-B-1952	
	4625B	R403	XSR403 4471RC		KIT 9179		A1-3222-B-1952	

MERITOR[®]
DELIVERING PERFORMANCE PLUS

NOTES

NUMERICAL PARTS LISTING

PART NUMBER	PAGE	PART NUMBER	PAGE	PART NUMBER	PAGE
PSMA210 4515P	25	SF557 4514Q	20	SMA212 4515F3EBL	24
PSMA210 4515Q	26	SF557 4514QM	21	SMA212 4515P	25
PSMA210 4707QP	28	SF557 4515F3	24	SMA212 4515Q	26
PSMA212 4515P	25	SF557 4515P	25	SMA212 4515QBL	26
PSMA212 4515Q	26	SF557 4515Q	26	SMA212 4524Q	18
PSMA212 4707QP	28	SF557 4515QM	27	SMA212 4524QR	19
PSMA310 4515P	25	SF557 4524Q	18	SMA212 4528	14
PSMA310 4515Q	26	SF557 4524QR	19	SMA212 4551Q	30
PSMA310 4707QP	28	SF557 4551FL	29	SMA212 4702QP	13
PSMA312 4515P	25	SF557 4551FR	30	SMA212 4702OPT	14
PSMA312 4515Q	26	SF557 4551Q	30	SMA212 4703QP	15
PSMA312 4707QP	28	SF557 4591S	11	SMA212 4704QP	15
PSR301 4515P	25	SF557 4702QP	13	SMA212 4705QP	16
PSR301 4515Q	26	SF557 4703QP	15	SMA212 4707QP	28
PSR301 4707QP	28	SF557 4707QP	28	SMA212 4709E1	22
SF520 4311E	22	SF557 4708EF	23	SMA212 4709E2	23
SF520 4515F3	24	SF557 4708ER	24	SMA212 4710QP	17
SF520 4515P	25	SF557 4709ES	22	SMA212 4711QP	30
SF520 4515Q	26	SF557 4709ES2	23	SMA212 4715QP	21
SF520 4707QP	28	SF557 4715QP	21	SMA212 4718QP	29
SF540 4707QP	28	SF557 4718QP	29	SMA212 4719E	17
SF520 4709ES	22	SF587 4515Q	26	SMA212 4720QP	19
SF520 4709ES2	23	SFCOM 4514Q	20	SMA310 1308E	12
SF540 4515F3	24	SFCOM 4515F3	24	SMA310 1308Q	13
SF540 4515P	25	SFCOM 4515P	25	SMA310 1308T	14
SF540 4515Q	26	SFCOM 4515Q	26	SMA310 4311E	22
SF550 1308E	12	SFCOM 4524Q	18	SMA310 4514Q	20
SF550 1308Q	13	SFCOM 4707QP	28	SMA310 4514QR	21
SF550 4515F3	24	SMA210 1308E	12	SMA310 4515F3	24
SF550 4515P	25	SMA210 1308Q	13	SMA310 4515P	25
SF550 4515Q	26	SMA210 1308T	14	SMA310 4515Q	26
SF550 4524Q	18	SMA210 4311E	22	SMA310 4524Q	18
SF550 4524QR	19	SMA210 4515F3	24	SMA310 4524QR	19
SF550 4591S	11	SMA210 4515P	25	SMA310 4551Q	30
SF550 4702QP	13	SMA210 4515Q	26	SMA310 4702QP	13
SF550 4707QP	28	SMA210 4524Q	18	SMA310 4707QP	28
SF550 4708ER	24	SMA210 4524QR	19	SMA310 4707QPM	28
SF550 4709ES	22	SMA210 4551Q	30	SMA310 4709E1	22
SF550 4709ES2	23	SMA210 4702QP	13	SMA310 4709E2	23
SF555 1308E	13	SMA210 4707QP	28	SMA310 4715QP	21
SF555 1308Q	12	SMA210 4709E1	22	SMA310 4718QP	29
SF555 4514Q	20	SMA210 4709E2	23	SMA310 4720QP	19
SF555 4514QM	21	SMA210 4711QP	30	SMA312 1308E	12
SF555 4515F3	24	SMA210 4715QP	21	SMA312 1308Q	13
SF555 4515P	25	SMA210 4718QP	29	SMA312 1443E	12
SF555 4515Q	26	SMA210 4720QP	19	SMA312 4311E	22
SF555 4524Q	18	SMA212 1307T	11	SMA312 4514Q	20
SF555 4524QR	19	SMA212 1308E	12	SMA312 4514QR	21
SF555 4591S	11	SMA212 1308Q	13	SMA312 4515F3	24
SF555 4670Q	11	SMA212 1308T	14	SMA312 4515P	25
SF555 4702QP	13	SMA212 1443E	12	SMA312 4515Q	26
SF555 4707QP	28	SMA212 4311E	22	SMA312 4524Q	18
SF555 4708ER	24	SMA212 4311EBL	22	SMA312 4524QR	19
SF555 4709ES	22	SMA212 4504	15	SMA312 4670Q	11
SF555 4709ES2	23	SMA212 4505	16	SMA312 4702QP	13
SF557 1308E	12	SMA212 4514Q	20	SMA312 4703QP	15
SF557 1308Q	13	SMA212 4514QR	21	SMA312 4707QP	28
SF557 1308T	14	SMA212 4515F3	24	SMA312 4709E1	22

NUMERICAL PARTS LISTING

PART NUMBER	PAGE	PART NUMBER	PAGE	PART NUMBER	PAGE
SMA312 4709E2	23	XS520 4709E1	50	XS557 4524Q	44
SMA312 4710QP	17	XS520 4709E2	50	XS557 4524QA	44
SMA312 4711QP	30	XS540 4311E	49	XS557 4524QR	45
SMA312 4715QP	21	XS540 4515F3	52	XS557 4527EC	59
SMA312 4718QP	29	XS540 4515P	52	XS557 4551Q	57
SMA312 4719ES	17	XS540 4515Q	53	XS557 4591D	31
SMA312 4720QP	19	XS540 4524Q	44	XS557 4591E	32
SMA312 4725ES	20	XS540 4707QP	54	XS557 4591S	32
SMA312 4726ES	29	XS540 4709E1	50	XS557 4670Q	32
SR301 1307T	11	XS540 4709E2	50	XS557 4692FC2	31
SR301 1308E	12	XS550 1308E	34	XS557 4702QP	36
SR301 1308Q	13	XS550 1308Q	36	XS557 4703QP	37
SR301 1308T	14	XS550 1308T	37	XS557 4707QP	54
SR301 4311E	22	XS550 4311E	49	XS557 4709E1	50
SR301 4514Q	20	XS550 4514Q	47	XS557 4709E2	50
SR301 4514QR	21	XS550 4515F3	52	XS557 4711QP	58
SR301 4515F3	24	XS550 4515P	52	XS557 4715QP	48
SR301 4515P	25	XS550 4515Q	53	XS557 4719ES	42
SR301 4515PC	25	XS550 4524Q	44	XS557 4725ES	46
SR301 4515Q	26	XS550 4524QR	45	XS560 4515Q	53
SR301 4524Q	18	XS550 4551Q	57	XSCOM 4311E	49
SR301 4524QA	18	XS550 4670Q	32	XSCOM 4515F3	52
SR301 4524QR	19	XS550 4702QP	36	XSCOM 4515Q	53
SR301 4551Q	30	XS550 4707QP	54	XSCOM 4524Q	44
SR301 4670Q	11	XS550 4709E1	50	XSCOM 4527EC	59
SR301 4702QP	13	XS550 4709E2	50	XSCOM 4707QP	54
SR301 4703QP	15	XS555 1308E	34	XSCOM 4709E1	50
SR301 4704QP	15	XS555 1308Q	36	XSCOM 4709E2	50
SR301 4705QP	16	XS555 1308T	37	XSMA210 1308E	34
SR301 4707QP	28	XS555 1443E	35	XSMA210 1308Q	36
SR301 4707QPM	28	XS555 4311E	49	XSMA210 1443E	35
SR301 4709E1	22	XS555 4317E	46	XSMA210 4311E	49
SR301 4709E2	23	XS555 4515F3	52	XSMA210 4311EH	51
SR301 4710QP	17	XS555 4515Q	53	XSMA210 4515F3	52
SR301 4711QP	30	XS555 4524P	43	XSMA210 4515P	52
SR301 4715QP	21	XS555 4524Q	44	XSMA210 4515Q	53
SR301 4718QP	29	XS555 4524QR	45	XSMA210 4551Q	57
SR301 4720QP	19	XS5554551Q	57	XSMA210 4702QP	36
SR403 4514Q	20	XS555 4701D	55	XSMA210 4707QP	54
SR403 4514QR	21	XS555 4702QP	36	XSMA210 4709E1	50
SR403 4515P	25	XS555 4707QP	54	XSMA210 4709E2	50
SR403 4515PC	25	XS555 4709E1	50	XSMA210 4718QP	56
SR403 4515Q	26	XS555 4709E2	50	XSMA212 1307T	33
SR403 4515QM	27	XS555 4710QP	41	XSMA212 1308E	34
SR403 4524Q	18	XS555 4715QP	48	XSMA212 1308Q	36
SR403 4524QR	19	XS557 1308E	34	XSMA212 1308T	37
SR403 4602RD	16	XS557 1308Q	36	XSMA212 1443E	35
SR403 4703QP	15	XS557 1308T	37	XSMA212 4223E	43
SR403 4707QP	28	XS557 1443E	35	XSMA212 4223EH	42
SR403 4707QPM	28	XS557 4223E	43	XSMA212 4311E	49
SR403 4711QP	30	XS557 4311E	49	XSMA212 4311EH	51
SR403 4715QP	21	XS557 4317E	46	XSMA212 4317E	46
SR403 4720QP	19	XS557 4514Q	47	XSMA212 4317EH	46
XS520 4311E	49	XS557 4514QR	48	XSMA212 4504L	38
XS520 4515F3	52	XS557 4515F3	52	XSMA212 4505L	39
XS520 4515P	52	XS557 4515MF	51	XSMA212 4514P	47
XS520 4515Q	53	XS557 4515P	52	XSMA212 4514Q	47
XS520 4707QP	54	XS557 4515Q	53	XSMA212 4514QR	48

NUMERICAL PARTS LISTING

PART NUMBER	PAGE
XSMA212 4515B	49
XSMA212 4515F	51
XSMA212 4515F3	52
XSMA212 4515MF	51
XSMA212 4515P	52
XSMA212 4515Q	53
XSMA212 4524P	43
XSMA212 4524Q	44
XSMA212 4524QR	45
XSMA212 4528L	37
XSMA212 4549Q	42
XSMA212 4551F3L	57
XSMA212 4551F3R	57
XSMA212 4551P	57
XSMA212 4551Q	57
XSMA212 4552Q	58
XSMA212 4561T	41
XSMA212 4562SM	33
XSMA212 4591D	31
XSMA212 4591E	32
XSMA212 4591S	32
XSMA212 4605BW	38
XSMA212 4605SM	39
XSMA212 4644Q	55
XSMA212 4670Q	32
XSMA212 4674E	56
XSMA212 4692	33
XSMA212 4692FC2	31
XSMA212 4692U	31
XSMA212 4693	34
XSMA212 4701D	55
XSMA212 4701STD	55
XSMA212 4702QP	36
XSMA212 4703QP	37
XSMA212 4704QP	39
XSMA212 4705QP	40
XSMA212 4707QP	54
XSMA212 4709E1	50
XSMA212 4709E2	50
XSMA212 4710QP	41
XSMA212 4711QP	58
XSMA212 4715QP	48
XSMA212 4717ES	40
XSMA212 4718QP	56
XSMA212 4719ES	42
XSMA212 4720QP	45
XSMA212 4725ES	46
XSMA212 4726ES	56
XSMA212 4729ES	35
XSMA310 1308E	34
XSMA310 1308Q	36
XSMA310 1308T	37
XSMA310 4311E	49
XSMA310 4311EH	51
XSMA310 4514Q	47
XSMA310 4514QR	48
XSMA310 4515F3	52
XSMA310 4515P	52
XSMA310 4515Q	53
XSMA310 4515P	52
XSMA310 4515Q	53
XSMA310 4524P	43
XSMA310 4515P	52

PART NUMBER	PAGE
XSMA310 4515Q	53
XSMA310 4524Q	44
XSMA310 4524QR	45
XSMA310 4551Q	57
XSMA310 4602RD	40
XSMA310 4702QP	36
XSMA310 4707QP	54
XSMA310 4707QPM	55
XSMA310 4709E1	50
XSMA310 4709E2	50
XSMA310 4715QP	48
XSMA310 4718QP	56
XSMA310 4720QP	45
XSMA312 1308E	34
XSMA312 1308Q	36
XSMA312 1443E	35
XSMA312 4223E	43
XSMA312 4311E	49
XSMA312 4317E	46
XSMA312 4471RC	59
XSMA312 4514Q	47
XSMA312 4515F3	52
XSMA312 4515P	52
XSMA312 4515Q	53
XSMA312 4524Q	44
XSMA312 4524QR	45
XSMA312 4551Q	57
XSMA312 4670Q	32
XSMA312 4701D	55
XSMA312 4702QP	36
XSMA312 4703QP	37
XSMA312 4707QP	54
XSMA312 4709E1	50
XSMA312 4709E2	50
XSMA312 4710QP	41
XSMA312 4711QP	58
XSMA312 4715QP	48
XSMA312 4718QP	56
XSMA312 4720QP	45
XSMA312 4725ES	46
XSMA312 4726ES	56
XSR301 1308E	34
XSR301 1308Q	36
XSR301 1308T	37
XSR301 1443E	35
XSR301 4311E	49
XSR301 4311EH	51
XSR301 4471RC	59
XSR301 4514P	47
XSR301 4514Q	47
XSR301 4514QR	48
XSR301 4515B	49
XSR301 4515F3	52
XSR301 4515MF	51
XSR301 4515P	52
XSR301 4515Q	53
XSR301 4524P	43
XSR301 4524Q	44

PART NUMBER	PAGE
XSR301 4524QA	44
XSR301 4524QR	45
XSR301 4551F3L	57
XSR301 4551F3R	57
XSR301 4551P	57
XSR301 4551Q	57
XSR301 4709E1	50
XSR301 4702QP	36
XSR301 4703QP	37
XSR301 4707QP	54
XSR301 4707QPM	55
XSR301 4709E2	50
XSR301 4710QP	41
XSR301 4711QP	58
XSR301 4715QP	48
XSR301 4718QP	56
XSR301 4720QP	45
XSR403 4471RC	59
XSR403 4514Q	47
XSR403 4514QR	48
XSR403 4515PC	53
XSR403 4515Q	53
XSR403 4515QM	54
XSR403 4524Q	44
XSR403 4524QR	45
XSR403 4527EC	59
XSR403 4703QP	37
XSR403 4707QP	54
XSR403 4707QPM	55
XSR403 4711QP	58
XSR403 4715QP	48

NOTES

MERITOR AFTERMARKET PARTS WARRANTY

We warrant all new parts for one year from date of shipment to the buyer against defective material or workmanship (but not against damage caused by accident, abuse or improper installation, maintenance or repair) when such parts are used on vehicles the specifications of which have been approved by our Engineering Department.

As the exclusive remedy under this warranty, we will, at our option, repair or replace such parts free of charge, or take back the nonconforming parts and refund the monies paid by buyer for such parts, if found on examination by us to be nonconforming and if any necessary return charges are prepaid.

If it is necessary to return any parts under this warranty, buyer agrees not to make any deduction on account thereof from remittances on current accounts while claims are in the process of disposition. Any expense incurred without our consent for repairs or replacement will not be allowed.

THIS WARRANTY IS EXPRESSLY IN LIEU OF ALL OTHER WARRANTIES OR CONDITIONS, EXPRESS, IMPLIED OR STATUTORY, INCLUDING ANY IMPLIED WARRANTY OF MERCHANTABILITY OR FITNESS FOR PARTICULAR PURPOSE. IN NO EVENT SHALL SELLER BE LIABLE FOR INCIDENTAL OR CONSEQUENTIAL DAMAGES OF ANY NATURE.

Only genuine Meritor replacement parts are covered by this aftermarket parts warranty.

ArvinMeritor™

Information contained in this publication is in effect at the time the publication was approved for printing and is subject to change without notice or liability. Meritor Heavy Vehicle Systems, LLC, reserves the right to revise the information presented or discontinue the production of parts described at any time.

Meritor Heavy Vehicle Systems, LLC
7975 Dixie Highway
Florence, KY 41042 USA
888-725-9355
www.meritorhvs.com
www.xpresswayplus.com

Printed in U.S.A.
Issued 11/2006
PB-8857WD (05060)
© 2006 ArvinMeritor, Inc.